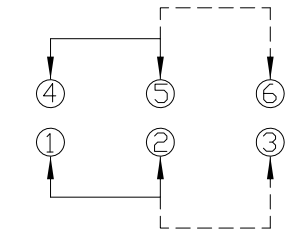
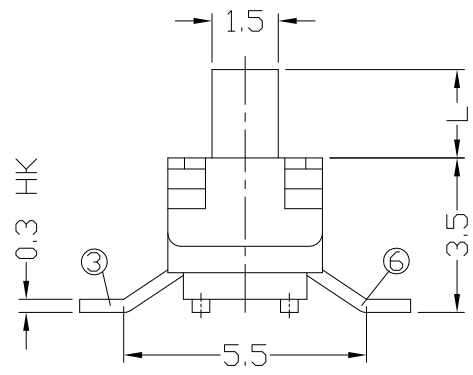
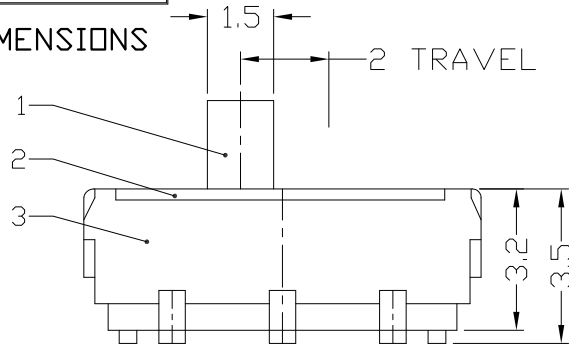




RoHS
Compliant
2002/95/EC

REV.	ECN.	NO.	APPD.

DIMENSIONS



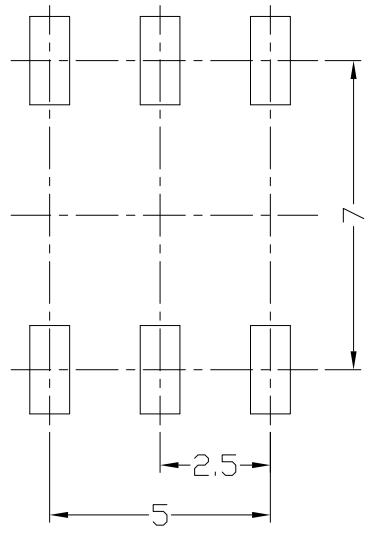
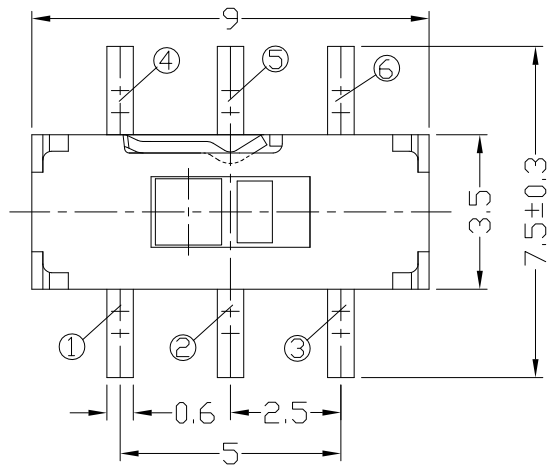
CIRCUIT DIAGRAM

MODEL CODE

AS-2235SPL [] - [B]

L	(mm)
-	2.0
A	4.0
B	3.0

Knob Color	
B	Black
W	White



P.C.B LAYOUT
TOP VIEW

ELECTRO-MECHANICAL CHARACTERISTICS

Refer to additional specifications

RATING	DC6V 0.3A
CIRCUIT	2P2T
CONTACT RESISTANCE	70mΩ MAX.
TRAVEL	2mm
OPERATING FORCE	200±50gf
OPERATING LIFE(cycles)	10,000

8					WITHIN 1.5mm±0.1mm	UNITS mm
7					OVER 1.5mm±0.2mm	MAT'L
6						SEE NOTE
5						FINISH
4	CONTACT	PBS WIRE	2	NATURAL		SEE NOTE
3	CASE	PA66/BRASS STRIP	1	BLACK/Ag PLATED		Q'TY
2	COVER	SUS	1	NATURAL		
1	KNOB	PA66	1	BLACK		
NO.	PARTS	MATERIAL	Q'TY	FINISHING		

THESE DRAWINGS AND SPECIFICATIONS ARE THE PROPERTY OF ACCURATE INNOTECH INC AND SHALL NOT BE REPRODUCED, COPIED OR USED IN ANY MANNER WITHOUT THE PRIOR WRITTEN CONSENT OF ACCURATE INNOTECH INC.

雅安科技有限公司
ACCURATE INNOTECH INC.

TITLE: MINI SLIDE SWITCH / VERTICAL PART NO.: AS-2235SPL SERIES

DR: *Ricky* 2015/04/14 DWG NO.: ADL-2235SPL

CHKD: *Ricky* 2015/04/14

APPD: _____

SCALE	SHEET	REV.	CUSTOMER DRAWING
6:1	1/1	A	