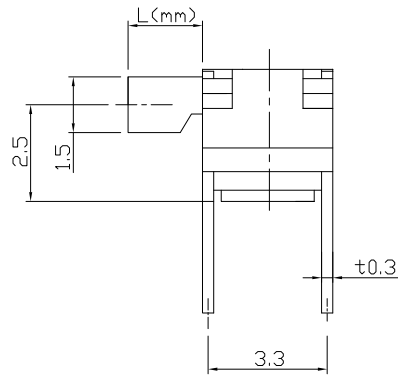
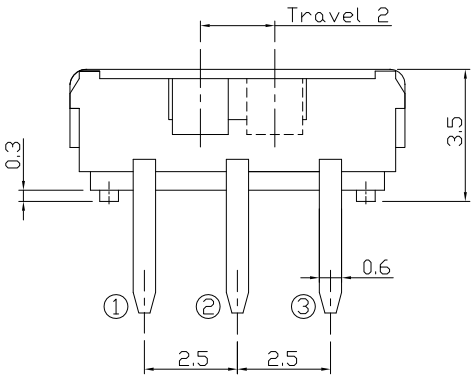




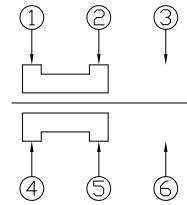
RoHS  
Compliant  
2002/95/EC

REV.	ECN.	NO.	APPD.

### DIMENSIONS



### CIRCUIT DIAGRAM



### PRODUCT IMAGE



### MODEL CODE

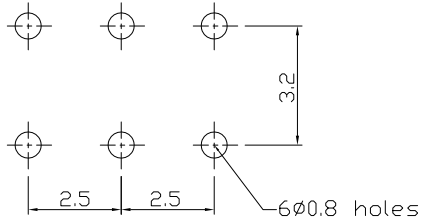
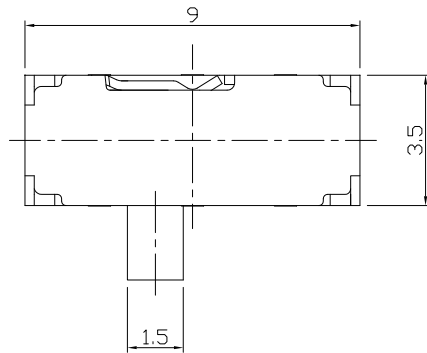
AS-2245  -  -

L	(mm)
-	2.0
A	4.0
B	3.0

Knob Color	
B	Black
W	White

### P.C.B MOUNTING PATTERN DIMENSION

The following soldering patterns are recommended for reflow soldering



### ELECTRO-MECHANICAL CHARACTERISTICS

Refer to additional specifications

Rating	DC 6V 0.3A
Circuit	2C-2P
Contact Resistance	70mΩ Max.
Travel	2.0 ± 0.3mm
Operating Force	200±100gf
Operating Life(cycles)	10,000

.X ±0.2

X. ±2'

UNITS mm

MAT'L

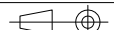
SEE NOTE

FINISH

SEE NOTE

Q'TY

THESE DRAWINGS AND SPECIFICATIONS ARE THE PROPERTY OF ACCURATE INNOTECH INC AND SHALL NOT BE REPRODUCED, COPIED OR USED IN ANY MANNER WITHOUT THE PRIOR WRITTEN CONSENT OF ACCURATE INNOTECH INC.



雅安科技有限公司  
ACCURATE INNOTECH INC.

TITLE: MINI SLIDE SWITCH

DR: *Ricky* 2014/04/03

CHKD: *Ricky* 2014/04/03

APPD:

PART NO.: AS-2245 SERIES

DWG NO.: ASI-2245

SCALE SHEET REV. CUSTOMER

1:1 1/1 A DRAWING