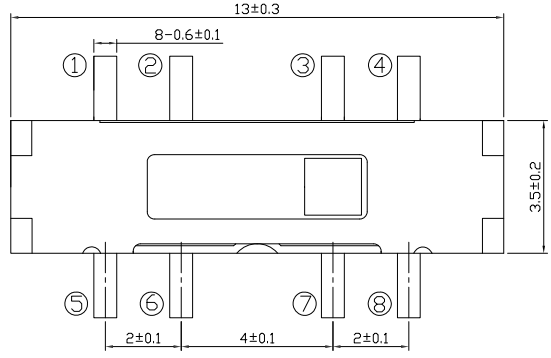
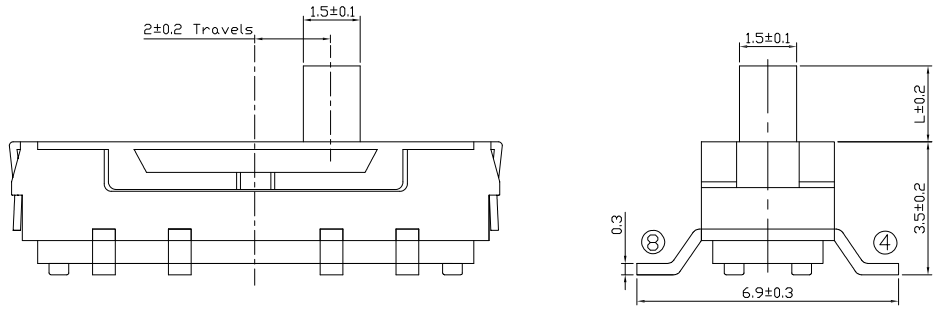




RoHS
Compliant
2002/95/EC

REV.	ECN. NO.	NO.	APPD.

DIMENSIONS

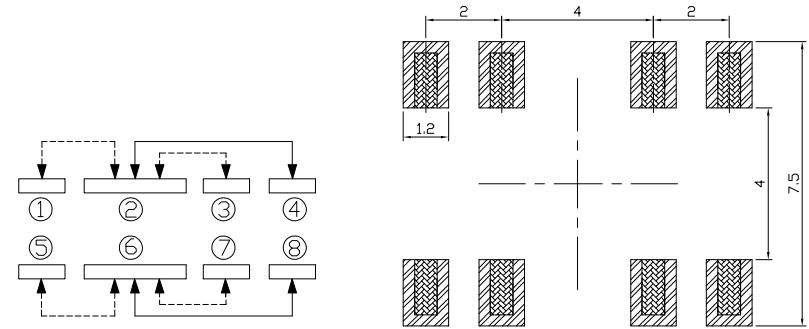


MODEL CODE

AS-2336SNE- -

L	(mm)
-	2.0
A	3.0
B	4.0

Knob Color	
B	Black
W	White



CIRCUIT DIAGRAM

P.C.B. LAYOUT

ELECTRO-MECHANICAL CHARACTERISTICS

Refer to additional specifications

Rating	DC 12V 0.3A
Circuit	2P3T
Contact Resistance	100mΩ Max.
Travel	2±0.3mm
Operating Force	250±100gf
Operating Life(cycles)	5,000

NO.	PARTS	MATERIAL	Q'TY	FINISHING
7				
6				
5	CONTACT	PBS	2	Ag PLATED
4	BASE	LCP	1	BLACK
3	TERMINAL	BRASS	8	Ag PLATED
2	KNOB	PA46	1	BLACK
1	COVER	SUS	1	NATURAL

GENERAL TOLERANCE	UNITS	MAT'L
WITHIN 1.5mm±0.1mm	mm	SEE NOTE
OVER 1.5mm±0.2mm		SEE NOTE
		FINISH
		SEE NOTE
		Q'TY

FINISH	SEE NOTE
Q'TY	

雅安科技有限公司 ACCURATE INNOTECH INC.			
TITLE: MINI SLIDE SWITCH		PART NO.: AS-2336SNE SERIES	
DR: <i>Ricky</i> 2020/05/12		DWG NO.: AZJ-2336SNE	
CHKD: <i>Ricky</i> 2020/05/12		SCALE	SHEET
APPD:		6:1	1/1
		REV.	CUSTOMER DRAWING
		A	

THESE DRAWINGS AND SPECIFICATIONS ARE THE PROPERTY OF ACCURATE INNOTECH INC AND SHALL NOT BE REPRODUCED, COPIED OR USED IN ANY MANNER WITHOUT THE PRIOR WRITTEN CONSENT OF ACCURATE INNOTECH INC.