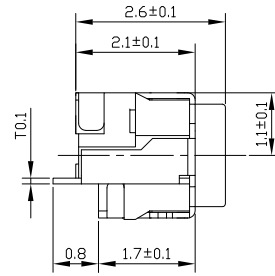
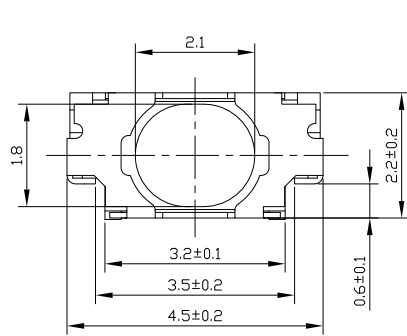




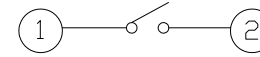
RoHS
Compliant
2002/95/EC

REV.	ECN.	NO.	APPD.

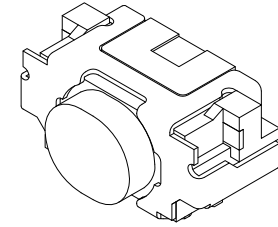
DIMENSIONS



CIRCUIT DIAGRAM

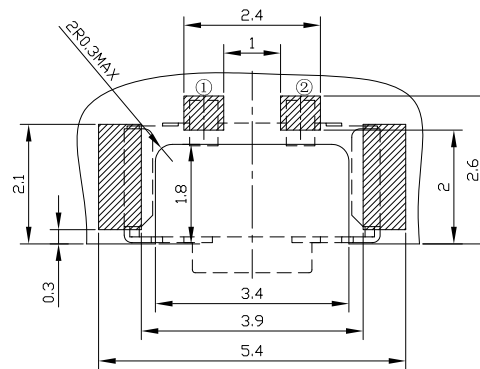
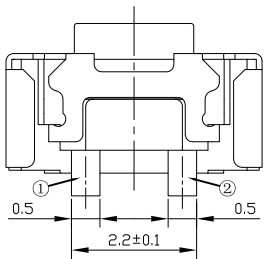


PRODUCT IMAGE



P.C.B MOUNTING PATTERN DIMENSION

The following soldering patterns are recommended for reflow soldering



ELECTRO-MECHANICAL CHARACTERISTICS

Refer to additional specifications

Rating	DC 12V 50mA
Contact Resistance	100mΩ Max.
Travel	0.15 ± 0.1mm
Operating Force	220±50gf
Operating Life(cycles)	100,000

.X ±0.2 X. ±2'

UNITS mm

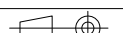
MAT'L

SEE NOTE

FINISH

SEE NOTE

Q'TY



雅安科技有限公司
ACCURATE INNOTECH INC.

TITLE:

TACT SWITCH

PART NO.:

AT-1013 SERIES

DR:

Ricky 2024/03/22

DWG NO.:

ASI-1013

CHKD:

Ricky 2024/03/22

APPD:

SCALE

SHEET

REV.

CUSTOMER

1:1

1/1

A

DRAWING

THESE DRAWINGS AND SPECIFICATIONS ARE THE PROPERTY OF ACCURATE INNOTECH INC AND SHALL NOT BE REPRODUCED, COPIED OR USED IN ANY MANNER WITHOUT THE PRIOR WRITTEN CONSENT OF ACCURATE INNOTECH INC.