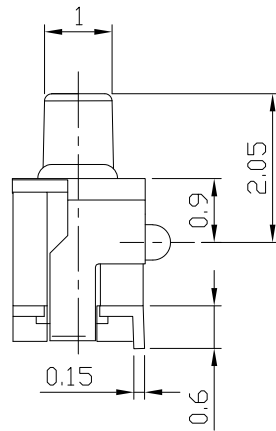
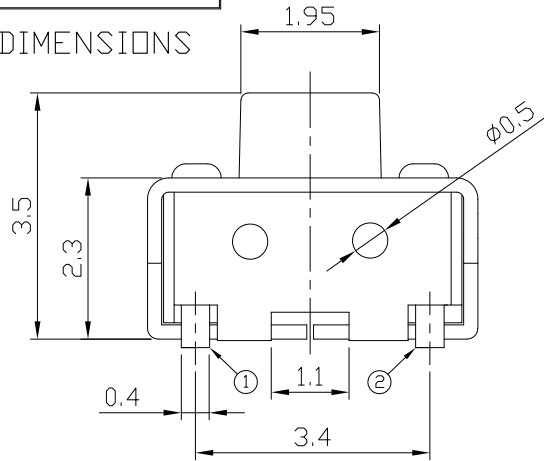




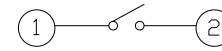
RoHS  
Compliant  
2002/95/EC

REV.	ECN.	NO.	APPD.

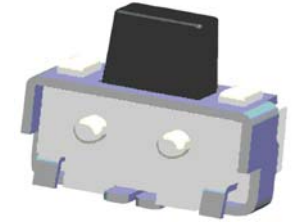
### DIMENSIONS



### CIRCUIT DIAGRAM

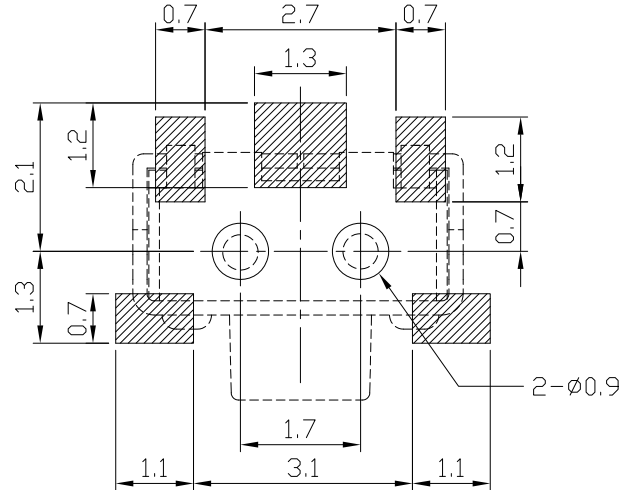


### PRODUCT IMAGE



### P.C.B MOUNTING PATTERN DIMENSION

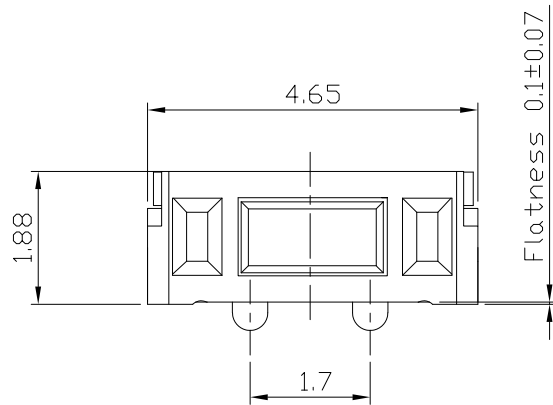
The following soldering patterns are recommended for reflow soldering



### ELECTRO-MECHANICAL CHARACTERISTICS

Refer to additional specifications

Rating	DC 12V 50mA
Contact Resistance	100m $\Omega$ Max.
Travel	0.15 $\pm$ 0.1mm
Operating Force	160 $\pm$ 50gf   250 $\pm$ 50gf
Operating Life(cycles)	100,000



.X  $\pm$ 0.2    X.  $\pm$ 2'

UNITS mm

MAT'L

SEE NOTE

FINISH

SEE NOTE

Q'TY

SEE NOTE

SEE NOTE

SEE NOTE

雅安科技有限公司  
ACCURATE INNOTECH INC.

TITLE:  
TACT SWITCH

PART NO.:  
AT-1100AAEP-G SERIES

DR: *Ricky* 2014/03/24

DWG NO.:  
ASI-1100AAEP-G

CHKD: *Ricky* 2014/03/24

SCALE SHEET REV. CUSTOMER  
1:1 1/1 A DRAWING

APPD:

THESE DRAWINGS AND SPECIFICATIONS ARE THE PROPERTY OF ACCURATE INNOTECH INC AND SHALL NOT BE REPRODUCED, COPIED OR USED IN ANY MANNER WITHOUT THE PRIOR WRITTEN CONSENT OF ACCURATE INNOTECH INC.