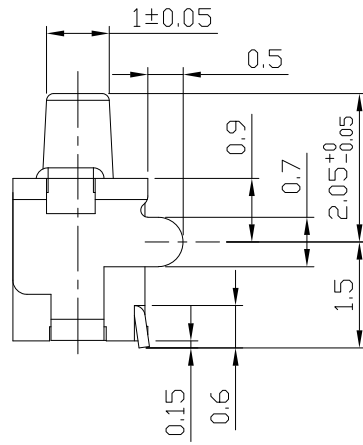
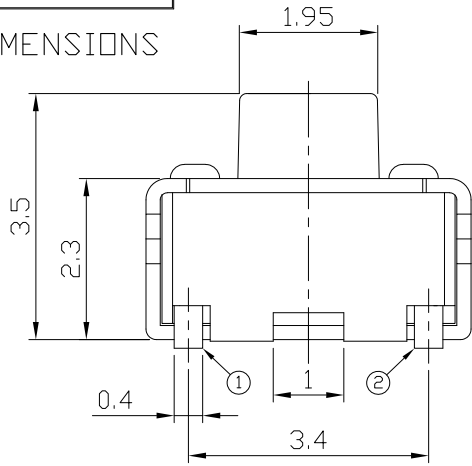




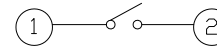
RoHS
Compliant
2002/95/EC

REV.	ECN.	NO.	APPD.

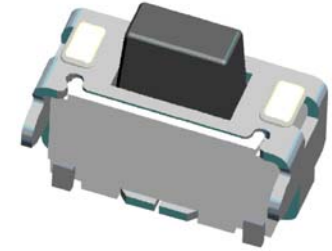
DIMENSIONS



CIRCUIT DIAGRAM

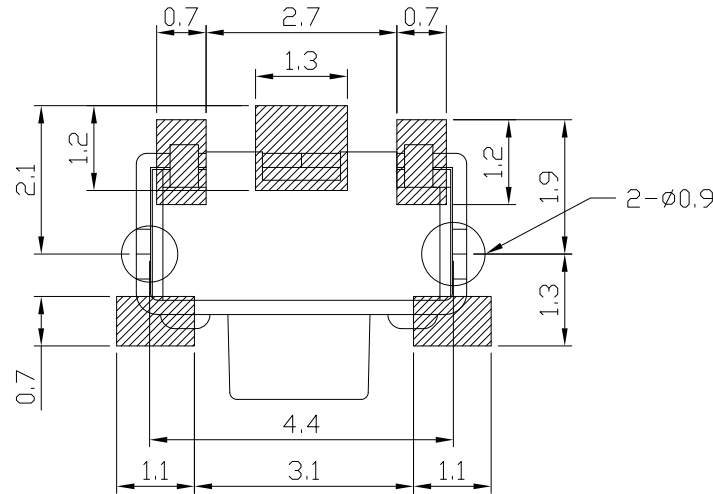
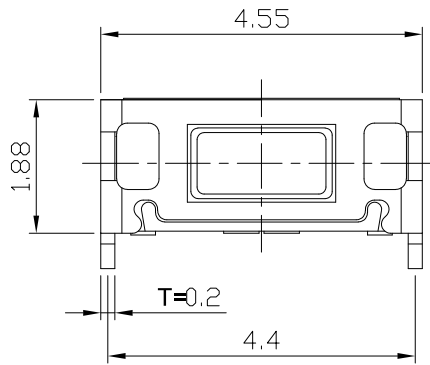


PRODUCT IMAGE



P.C.B MOUNTING PATTERN DIMENSION

The following soldering patterns are recommended for reflow soldering



ELECTRO-MECHANICAL CHARACTERISTICS

Refer to additional specifications

Rating	DC 12V 50mA	
Contact Resistance	100mΩ Max.	
Travel	0.15 ± 0.1mm	
Operating Force	160±50gf	250±50gf
Operating Life(cycles)	100,000	

.X ±0.2 X. ±2'
UNITS mm
MAT'L
SEE NOTE
FINISH
SEE NOTE
Q'TY
THESE DRAWINGS AND SPECIFICATIONS ARE THE PROPERTY OF ACCURATE INNOTECH INC AND SHALL NOT BE REPRODUCED, COPIED OR USED IN ANY MANNER WITHOUT THE PRIOR WRITTEN CONSENT OF ACCURATE INNOTECH INC.

UNITS mm			
MAT'L			
SEE NOTE			
FINISH			
SEE NOTE			
Q'TY			
雅安科技有限公司 ACCURATE INNOTECH INC.		PART NO.: AT-1100AANP SERIES	
TITLE: TACT SWITCH		DR: <i>Ricky</i> 2015/03/17	
DWG NO.: ASI-1100AANP		CHKD: <i>Ricky</i> 2015/03/17	
SCALE	SHEET	REV.	CUSTOMER DRAWING
1:1	1/1	A	