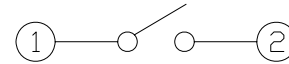
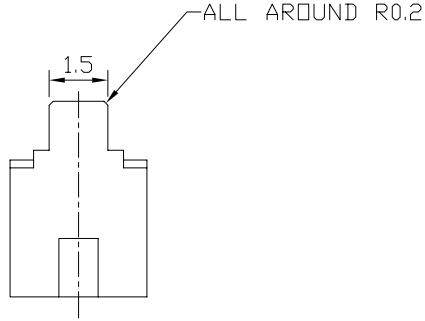
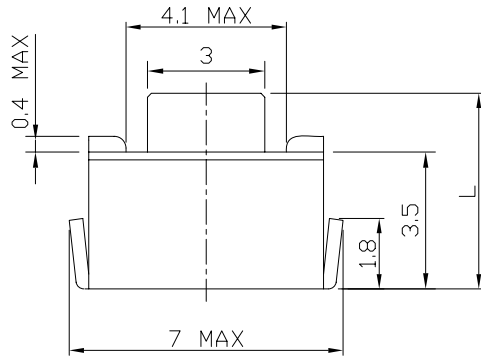




RoHS
Compliant
2002/95/EC

REV.	ECN.	NO.	APPD.

DIMENSIONS



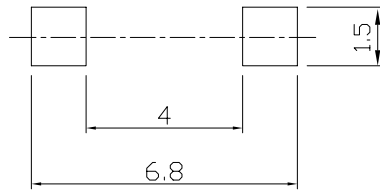
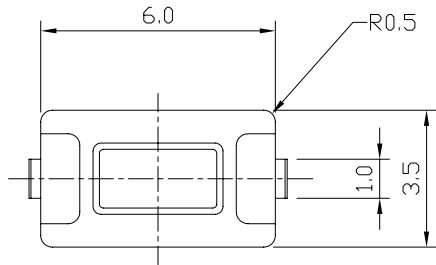
CIRCUIT DIAGRAM

MODEL CODE

AT-1101NH

L(mm)	
-	4.3
A	5.0

P.C.B MOUNTING PATTERN DIMENSION



ELECTRO-MECHANICAL CHARACTERISTICS

Refer to additional specifications

RATING	DC12V 50mA MAX
CONTACT RESISTANCE	100mΩ MAX.
TRAVEL	0.25±0.1mm
OPERATING FORCE	180±50gf 250±50gf
OPERATING LIFE(cycles)	50,000

8					.X ±0.3	X. ±2°	UNITS	mm	雅安科技有限公司 ACCURATE INNOTECH INC.						
7							MAT'L								
6							SEE NOTE		TITLE:	PART NO.:					
5	CONTACT	SUS 301	1	Ag0.3u					TACT SWITCH	AT-1101NH SERIES					
4	TERMINAL	C2680R-EH	1	Ag0.3u					DR:	Ricky 2015/04/27		DWG NO.:	AKS-1101NH		
3	COVER	SPT	1	Sn					CHKD:	Ricky 2015/04/27		SCALE	SHEET	REV.	CUSTOMER
2	STEM	ARLEN(6T)	1						APPD:			5:1	1/1	A	DRAWING
1	CASE	ARLEN(6T)	1												
NO.	PARTS	MATERIAL	Q'TY	FINISHING											

THESE DRAWINGS AND SPECIFICATIONS ARE THE PROPERTY OF ACCURATE INNOTECH INC AND SHALL NOT BE REPRODUCED, COPIED OR USED IN ANY MANNER WITHOUT THE PRIOR WRITTEN CONSENT OF ACCURATE INNOTECH INC.

