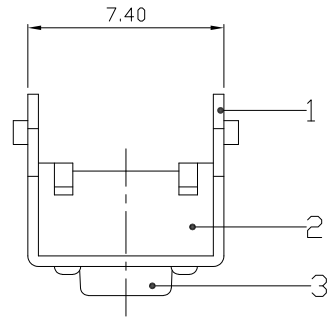




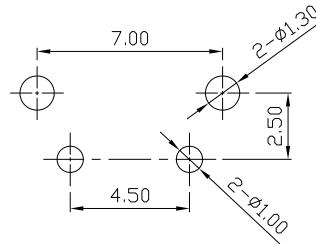
RoHS Compliant  
2002/95/EC

| REV. | ECN. NO. | APPD. |
|------|----------|-------|
|      |          |       |
|      |          |       |
|      |          |       |

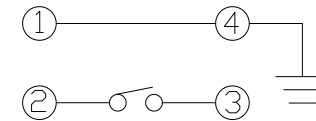
DIMENSIONS



P.C.B MOUNTING PATTERN DIMENSION



CIRCUIT DIAGRAM

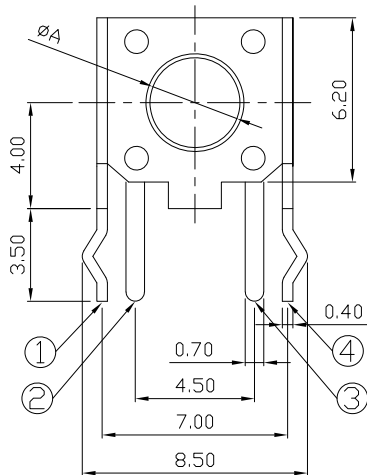
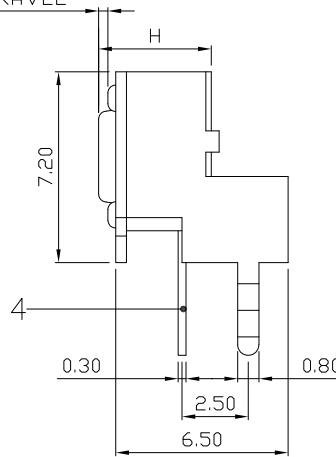


MODEL CODE

AT-1102L-

|    | H    | φA  |
|----|------|-----|
| -  | 4.3  | 3.5 |
| A  | 5.0  | 3.4 |
| B  | 7.0  | 3.3 |
| E  | 7.3  | 3.3 |
| C  | 8.0  | 3.3 |
| Q  | 6.0  | 3.4 |
| D  | 9.5  | 3.3 |
| F  | 12.5 | 3.3 |
| FL | 13.0 | 3.0 |
| G  | 13.5 | 3.0 |
| I  | 17.0 | 3.0 |

0.25±0.1mm TRAVEL



ELECTRO-MECHANICAL CHARACTERISTICS

Refer to additional specifications

|                        |                                  |
|------------------------|----------------------------------|
| Rating                 | DC 12V 50mA                      |
| Contact Resistance     | 100mΩ Max.                       |
| Travel                 | 0.25±0.1mm                       |
| Operating Force        | 100/130/160±50gf   250/320±100gf |
| Operating Life(cycles) | 100,000                          |

|     |          |                   |      |           |                     |
|-----|----------|-------------------|------|-----------|---------------------|
| 5   | CONTACT  | PBS C5210R-EH     | 1    | Ag CLAD   | WITHIN 1.5mm:±0.1mm |
| 4   | TERMINAL | BRASS STRIP       | 2    | Ag PLATED | OVER 1.5mm:±0.2mm   |
| 3   | KNOB     | PBT+F.G/NYLON+F.G | 1    | BLACK     |                     |
| 2   | CASE     | PBT+F.G/NYLON+F.G | 1    | BLACK     |                     |
| 1   | FRAME    | STEEL STRIP       | 1    | Ni PLATED |                     |
| NO. | PARTS    | MATERIAL          | Q'TY | FINISHING |                     |

THESE DRAWINGS AND SPECIFICATIONS ARE THE PROPERTY OF ACCURATE INNOTECH INC AND SHALL NOT BE REPRODUCED, COPIED OR USED IN ANY MANNER WITHOUT THE PRIOR WRITTEN CONSENT OF ACCURATE INNOTECH INC.

| UNITS  |  | mm       |  |
|--------|--|----------|--|
| MAT'L  |  | SEE NOTE |  |
| FINISH |  | SEE NOTE |  |
| Q'TY   |  | SEE NOTE |  |
| APPD:  |  | SEE NOTE |  |

|                                    |  |                    |  |                           |  |
|------------------------------------|--|--------------------|--|---------------------------|--|
| 雅安科技有限公司<br>ACCURATE INNOTECH INC. |  | TITLE: TACT SWITCH |  | PART NO.: AT-1102L SERIES |  |
| DR: Ricky 2017/08/03               |  | DWG NO.: AZJ-1102L |  |                           |  |
| CHKD: Ricky 2017/08/03             |  | SCALE: 4:1         |  | SHEET: 1/1                |  |
| APPD:                              |  | REV. A             |  | CUSTOMER DRAWING          |  |