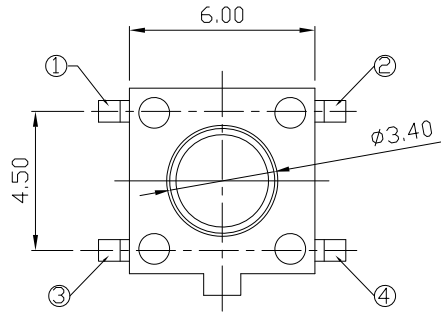




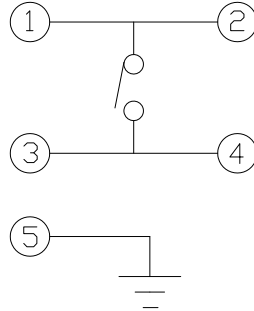
RoHS Compliant  
2002/95/EC

REV.	ECN. NO.	APPD.

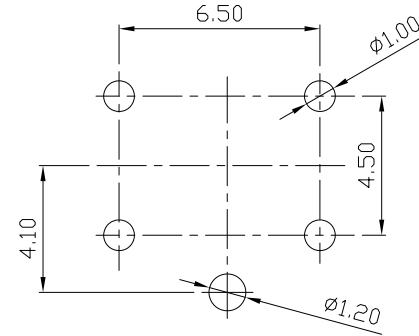
DIMENSIONS



CIRCUIT DIAGRAM



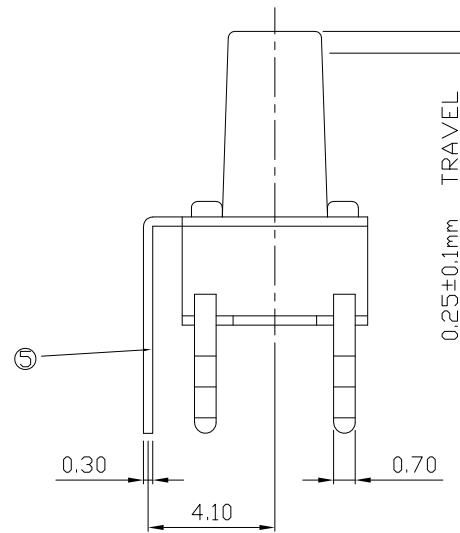
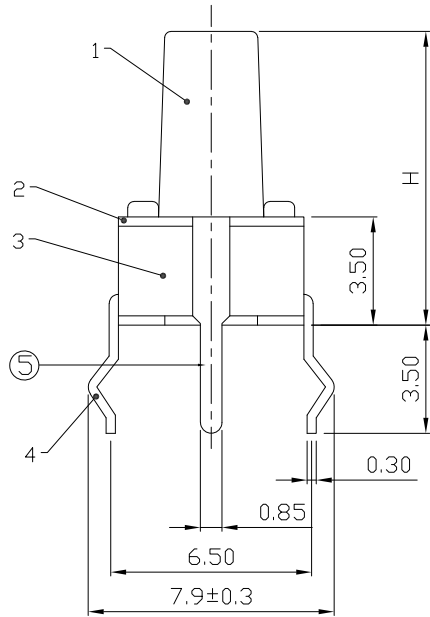
P.C.B MOUNTING PATTERN DIMENSION



MODEL CODE

AT-1102P-

	H
-	4.3
A	5.0
B	7.0
E	7.3
C	8.0
D	9.5
F	12.5



ELECTRO-MECHANICAL CHARACTERISTICS

Refer to additional specifications

Rating	DC 12V 50mA
Contact Resistance	100mΩ Max.
Travel	0.25±0.1mm
Operating Force	100/130/160/190±50gf 250/320±100gf
Operating Life(cycles)	100,000

5	CONTACT	PBS C5210R/SUS	1	Ag CALD	WITHIN 1.5mm:±0.1mm
4	TERMINAL	BRASS STRIP	4	Ag PLATED	OVER 1.5mm:±0.2mm
3	CASE	NYLON+F.G/PBT	1	BLACK	
2	COVER	MILD STEEL	1	NI PLATED	
1	KNOB	NYLON+F.G/PBT	1	BLACK	
NO.	PARTS	MATERIAL	Q'TY	FINISHING	

UNITS	mm	雅安科技有限公司 ACCURATE INNOTECH INC.			
MAT'L	SEE NOTE				
FINISH	SEE NOTE	TITLE:	PART NO.:		
Q'TY	SEE NOTE	TACT SWITCH	AT-1102P SERIES		
		DR: Ricky 2017/08/01	DWG NO.:		
		CHKD: Ricky 2017/08/01	AZJ-1102P		
		APPD:	SCALE	SHEET	REV.
			4:1	1/1	A
			CUSTOMER DRAWING		

THESE DRAWINGS AND SPECIFICATIONS ARE THE PROPERTY OF ACCURATE INNOTECH INC AND SHALL NOT BE REPRODUCED, COPIED OR USED IN ANY MANNER WITHOUT THE PRIOR WRITTEN CONSENT OF ACCURATE INNOTECH INC.