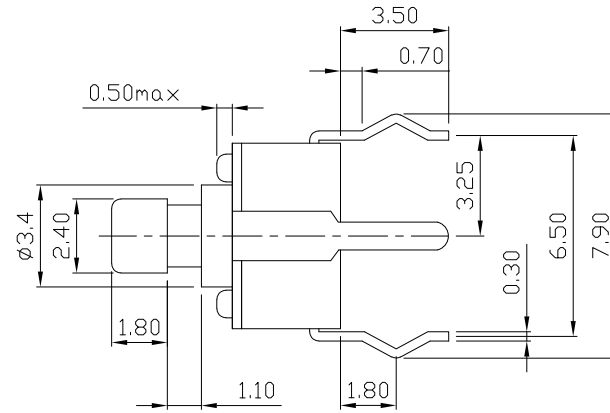
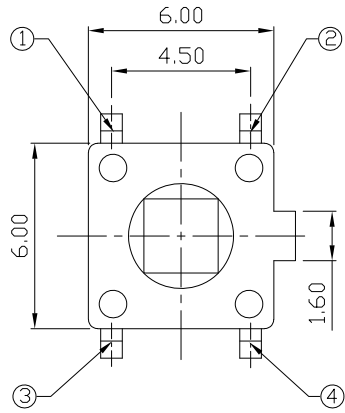




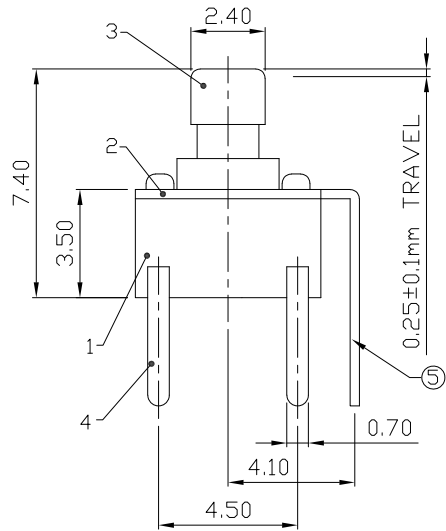
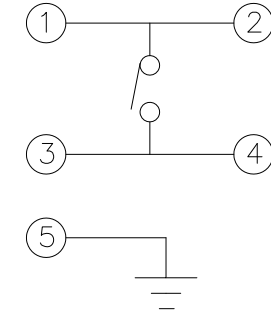
RoHS Compliant
2002/95/EC

REV.	ECN.	NO.	APPD.

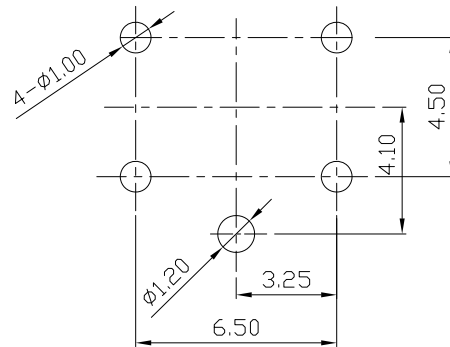
DIMENSIONS



CIRCUIT DIAGRAM



P.C.B MOUNTING PATTERN DIMENSION



ELECTRO-MECHANICAL CHARACTERISTICS

Refer to additional specifications

Rating	DC 12V 50mA
Contact Resistance	100mΩ Max.
Travel	0.25±0.1mm
Operating Force	100/130/160±50gf 250±100gf
Operating Life(cycles)	100,000

NO.	PARTS	MATERIAL	Q'TY	FINISHING	
5	CONTACT	PBS	1	Ag CALD	WITHIN 1.5mm:±0.1mm
4	TERMINAL	BRASS STRIP	4	Ag PLATED	OVER 1.5mm:±0.2mm
3	KNOB	NYION + F.G	1	BLACK	
2	COVER	STEEL STRIP	1	NI PLATED	
1	CASE	NYION + F.G	1	BLACK	

UNITS	雅安科技有限公司 ACCURATE INNOTECH INC.			
mm	TITLE: TACT SWITCH		PART NO.: AT-1102PT SERIES	
MAT'L	DR: Ricky 2017/08/01		DWG NO.: AZJ-1102PT	
SEE NOTE	CHKD: Ricky 2017/08/01			
FINISH	APPD:		SCALE: 4:1	SHEET: 1/1
SEE NOTE			REV.: A	CUSTOMER DRAWING
Q'TY				

THESE DRAWINGS AND SPECIFICATIONS ARE THE PROPERTY OF ACCURATE INNOTECH INC AND SHALL NOT BE REPRODUCED, COPIED OR USED IN ANY MANNER WITHOUT THE PRIOR WRITTEN CONSENT OF ACCURATE INNOTECH INC.

