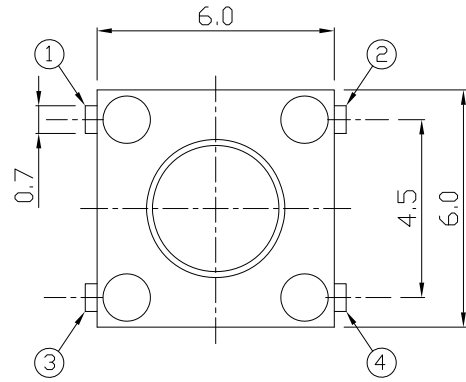




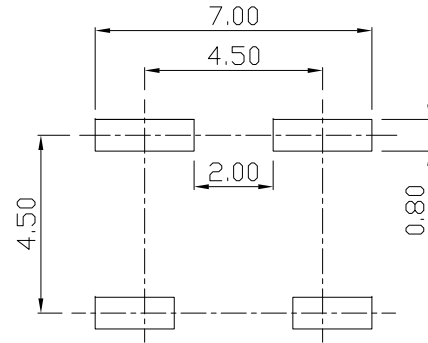
RoHS
Compliant
2002/95/EC

REV.	ECN. NO.	APPD.

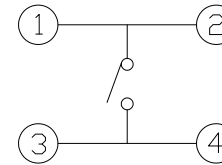
DIMENSIONS



P.C.B MOUNTING PATTERN DIMENSION



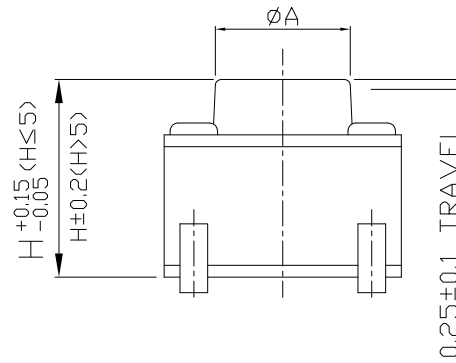
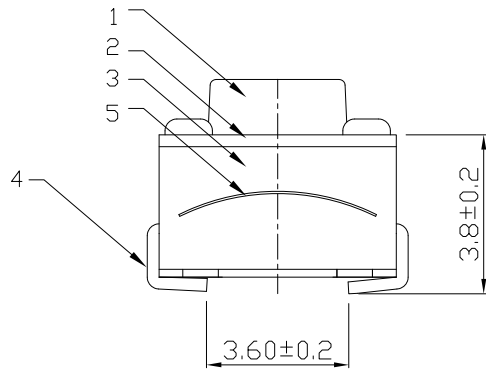
CIRCUIT DIAGRAM



MODEL CODE

AT-1102SJ-

	H	∅A
-	4.3	∅3.5
A	5.0	∅3.4
Q	6.0	∅3.3
B	7.0	∅3.3
E	7.3	∅3.3
C	8.0	∅3.3
CL	8.5	∅3.3
D	9.5	∅3.3
F	12.5	∅3.3
FL	13.0	∅3.0
I	17.0	∅3.0



ELECTRO-MECHANICAL CHARACTERISTICS
Refer to additional specifications

Rating	DC 12V 50mA		
Contact Resistance	100mΩ Max.		
Travel	0.25±0.1mm		
Operating Force	100±50gf	160±50gf	250±100gf
Operating Life(cycles)	100,000		

NO.	PART NAME	MATERIAL	QTY.	FINISHING	
5	CONTACT	SUS	1	Ag PLATED	WITHIN 1.5mm ±0.1
4	TERMINAL	BRASS STRIP	4	Ag PLATED	OVER 1.5mm ±0.2
3	CASE	PA6T	1	BLACK	
2	COVER	MILD STEEL	1	Sn PLATED	
1	KNOB	PA6T	1	BLACK	

UNITS	mm
MAT'L	SEE NOTE
FINISH	SEE NOTE
Q'TY	SEE NOTE

雅安科技有限公司 ACCURATE INNOTECH INC.	
TITLE: TACT SWITCH	PART NO.: AT-1102SJ SERIES
DR: <i>Ricky</i> 2024/09/14	DWG NO.: AZJ-1102SJ
CHKD: <i>Ricky</i> 2024/09/14	
APPD: <i>Ricky</i>	

SCALE	SHEET	REV.	CUSTOMER DRAWING
8:1	1/1	A	

THESE DRAWINGS AND SPECIFICATIONS ARE THE PROPERTY OF ACCURATE INNOTECH INC AND SHALL NOT BE REPRODUCED, COPIED OR USED IN ANY MANNER WITHOUT THE PRIOR WRITTEN CONSENT OF ACCURATE INNOTECH INC.

