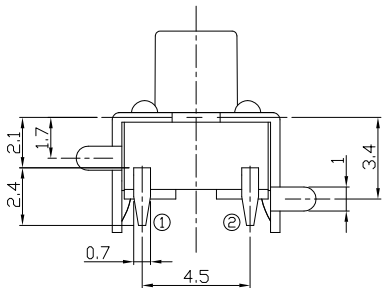
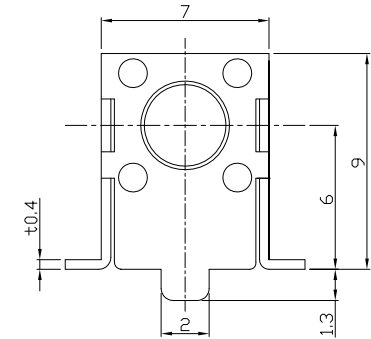
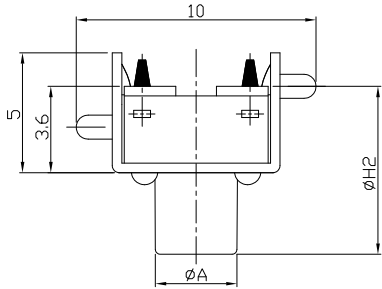




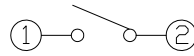
RoHS Compliant
2002/95/EC
Process Capable

REV.	ECN. NO.	APPD.

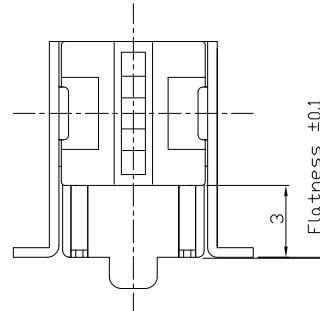
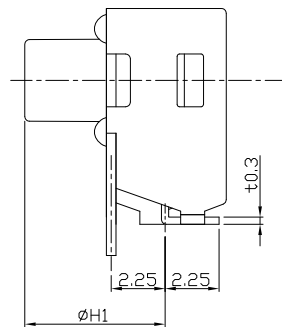
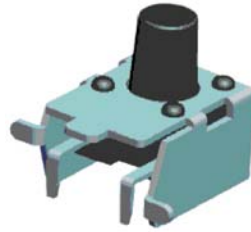
DIMENSIONS



CIRCUIT DIAGRAM

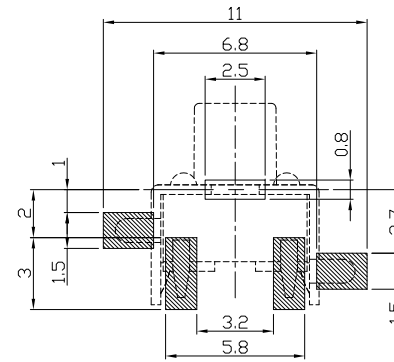


PRODUCT IMAGE



P.C.B MOUNTING PATTERN DIMENSION

The following soldering patterns are recommended for reflow soldering



MODEL CODE

AT-1102US 10

	H1	H2	ϕA
-	3.15	4.3	3.5
AS	3.35	4.5	3.5
A	3.85	5.0	3.5
AL	4.35	5.5	3.5
Q	4.85	6.0	3.5
QL	5.35	6.5	3.4
B	5.85	7.0	3.4
E	6.15	7.3	3.3
EL	6.35	7.5	3.3
C	6.85	8.0	3.3
CL	7.35	8.5	3.3
DS	7.85	9.0	3.1
D	8.35	9.5	3.1

ELECTRO-MECHANICAL CHARACTERISTICS
Refer to additional specifications

Rating	DC 12V 50mA	
Contact Resistance	100m Ω Max.	
Travel	0.25 \pm 0.1mm	
Operating Force	160 \pm 30gf	250 \pm 50gf
Operating Life(cycles)	100,000	Stainless Steel

.X ± 0.3	X. $\pm 2^*$
UNITS mm	
MAT'L	
SEE NOTE	
FINISH	
SEE NOTE	
Q'TY	

THESE DRAWINGS AND SPECIFICATIONS ARE THE PROPERTY OF ACCURATE INNOTECH INC AND SHALL NOT BE REPRODUCED, COPIED OR USED IN ANY MANNER WITHOUT THE PRIOR WRITTEN CONSENT OF ACCURATE INNOTECH INC.

雅安科技有限公司 ACCURATE INNOTECH INC.			
TITLE: TACT SWITCH		PART NO.: AT-1102US10 SERIES	
DR: Ricky 2020/06/15		DWG NO.: ASI-1102US10	
CHKD: Ricky 2020/06/15		SCALE	SHEET
APPD:		1:1	1/1
		REV.	CUSTOMER DRAWING
		A	