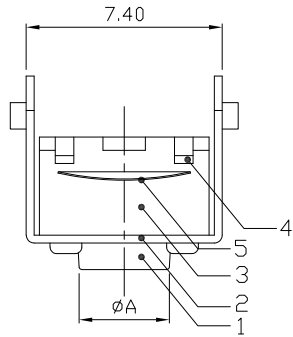




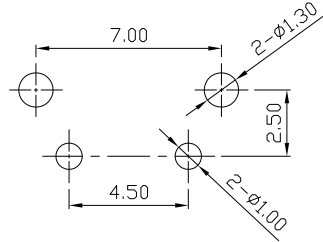
RoHS Compliant
2002/95/EC

REV.	ECN. NO.	APPD.

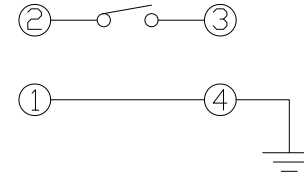
DIMENSIONS



P.C.B MOUNTING PATTERN DIMENSION



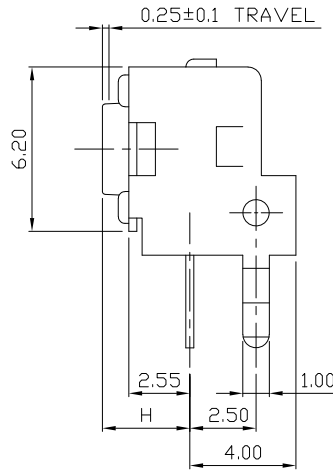
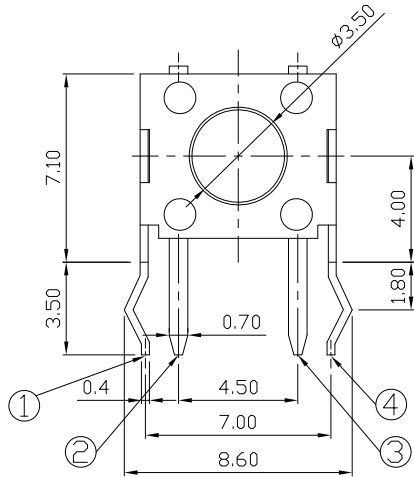
CIRCUIT DIAGRAM



MODEL CODE

AT-1102V-

	H	ϕA
-	3.15	3.5
A	3.85	3.4
B	5.85	3.3
D	8.35	3.3
F	11.35	3.0
E	6.15	3.3
FL	11.85	3.0



ELECTRO-MECHANICAL CHARACTERISTICS

Refer to additional specifications

Rating	DC 12V 50mA
Contact Resistance	100m Ω Max.
Travel	0.25±0.1mm
Operating Force	100/130/160/180±50gf 250±100gf
Operating Life(cycles)	100,000

NO.	PARTS	MATERIAL	Q'TY	FINISHING	
5	CONTACT	PBS	1	Ag CLAD	WITHIN 1.5mm:±0.1mm
4	TERMINAL	BRASS STRIP	2	Ag PLATED	OVER 1.5mm:±0.2mm
3	CASE	NYLON+F.G	1	BLACK	
2	COVER	STEEL STRIP	1	NI PLATED	
1	KNOB	NYLON+F.G	1	BLACK	
					THESE DRAWINGS AND SPECIFICATIONS ARE THE PROPERTY OF ACCURATE INNOTECH INC AND SHALL NOT BE REPRODUCED, COPIED OR USED IN ANY MANNER WITHOUT THE PRIOR WRITTEN CONSENT OF ACCURATE INNOTECH INC.

UNITS	雅安科技有限公司 ACCURATE INNOTECH INC.			
mm	TITLE: TACT SWITCH		PART NO.: AT-1102V SERIES	
MAT'L SEE NOTE	DR: <i>Ricky</i> 2017/08/03		DWG NO.: AZJ-1102V	
FINISH SEE NOTE	CHKD: <i>Ricky</i> 2017/08/03			
Q'TY	APPD:		SCALE	SHEET
			4:1	1/1
			REV.	CUSTOMER DRAWING
			A	