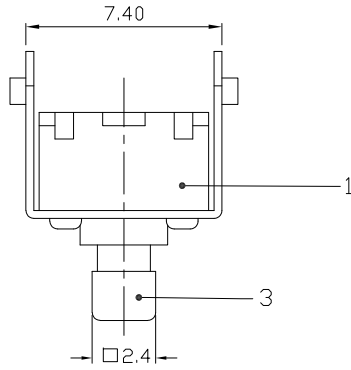




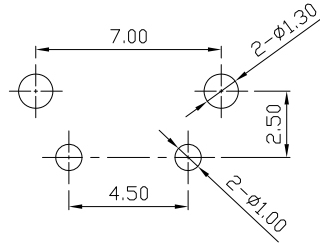
RoHS Compliant
2002/95/EC

REV.	ECN.	NO.	APPD.

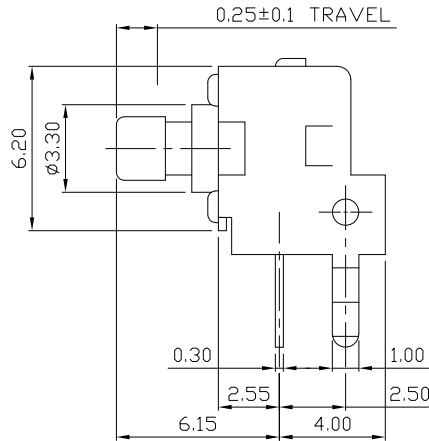
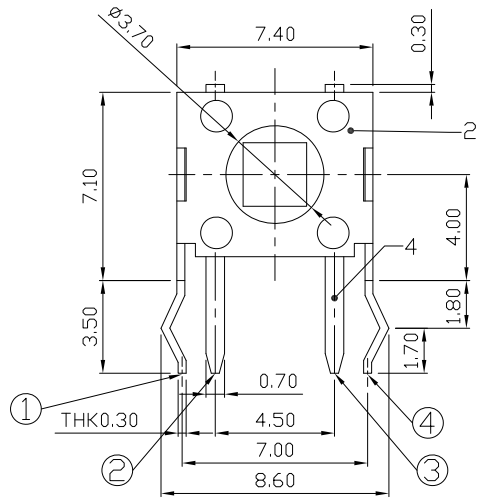
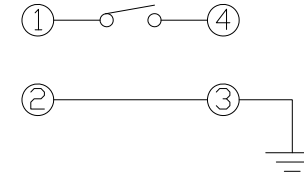
DIMENSIONS



P.C.B MOUNTING PATTERN DIMENSION



CIRCUIT DIAGRAM



ELECTRO-MECHANICAL CHARACTERISTICS

Refer to additional specifications

Rating	DC 12V 50mA
Contact Resistance	100mΩ Max.
Travel	0.25±0.1mm
Operating Force	100/130/160/190±50gf 250±100gf
Operating Life(cycles)	100,000

NO.	PARTS	MATERIAL	Q'TY	FINISHING				
5	CONTACT	PBS/SUS	1	Ag CLAD	WITHIN 1.5mm:±0.1mm	UNITS	mm	
4	TERMINAL	BRASS STRIP	2	Ag COATING	OVER 1.5mm:±0.2mm	MAT'L		
3	KNOB	NYLON+F.G	1	BLACK		SEE NOTE		
2	COVER	STEEL STRIP	1	NI PLATED		FINISH		
1	CASE	NYLON+F.G	1	BLACK		SEE NOTE		
						Q'TY		

THESE DRAWINGS AND SPECIFICATIONS ARE THE PROPERTY OF ACCURATE INNOTECH INC AND SHALL NOT BE REPRODUCED, COPIED OR USED IN ANY MANNER WITHOUT THE PRIOR WRITTEN CONSENT OF ACCURATE INNOTECH INC.

雅安科技有限公司 ACCURATE INNOTECH INC.			
TITLE:	TACT SWITCH	PART NO.:	AT-1102VT SERIES
DR:	Ricky 2017/08/03	DWG NO.:	AZJ-1102VT
CHKD:	Ricky 2017/08/03	SCALE	4:1
APPD:		SHEET	1/1
		REV.	A
		CUSTOMER	DRAWING