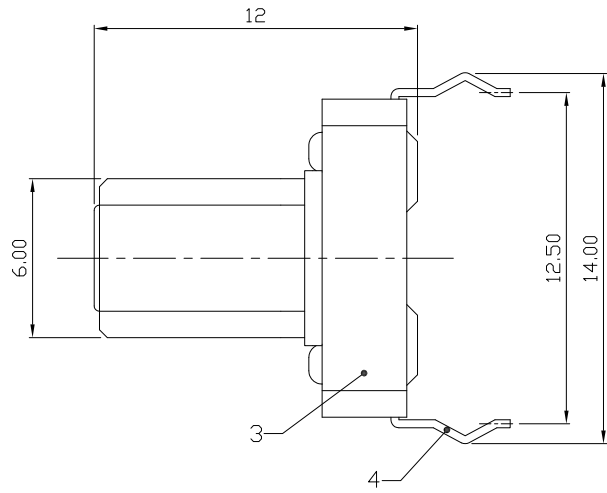
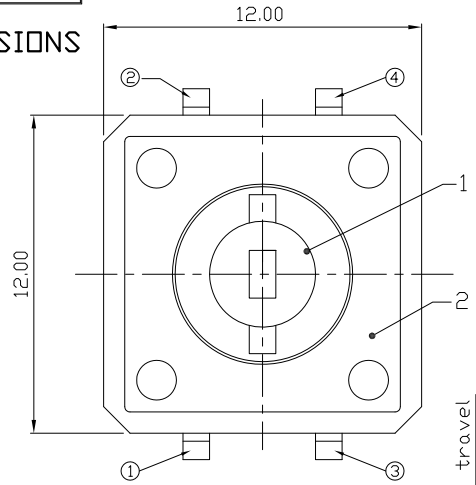




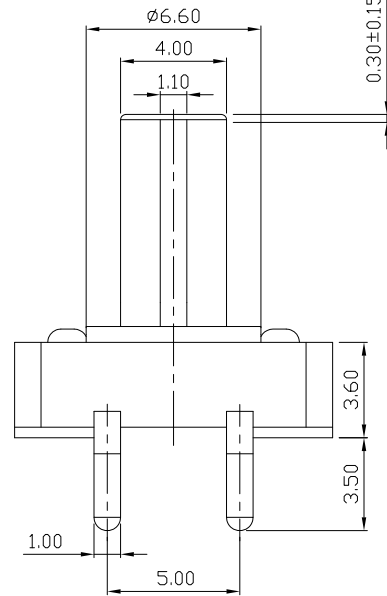
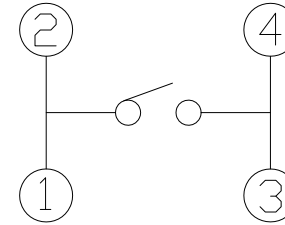
RoHS  
Compliant  
2002/95/EC

REV.	ECN.	NO.	APPD.

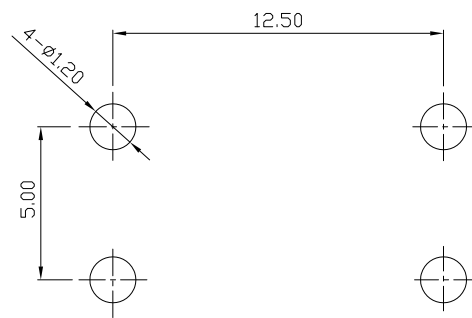
**DIMENSIONS**



**CIRCUIT DIAGRAM**



**P.C.B MOUNTING PATTERN DIMENSION**



**ELECTRO-MECHANICAL CHARACTERISTICS**

Refer to additional specifications

Rating	DC 12V 50mA	
Contact Resistance	100mΩ Max.	
Travel	0.30±0.15mm	
Operating Force	160±50gf	250±100gf
Operating Life(cycles)	100,000	

NO.	PARTS	MATERIAL	Q'TY	FINISHING	
5	CONTACT	PBS	1	Ag CALD	WITHIN 1.5mm:±0.1mm
4	TERMINAL	BRASS STRIP	4	Ag COATING	OVER 1.5mm:±0.2mm
3	CASE	NYLON+F.G	1	BLACK	
2	COVER	MILD STEEL	1	Ni COATING	
1	KNOB	NYLON+F.G	1	BLACK	

UNITS	mm	<b>雅安科技有限公司</b> <b>ACCURATE INNOTECH INC.</b>			
MAT'L	SEE NOTE				
FINISH	SEE NOTE	TITLE:	PART NO.:		
Q'TY		TACT SWITCH	AT-1103A SERIES		
		DR: <i>Ricky</i> 2017/08/02	DWG NO.:		
		CHKD: <i>Ricky</i> 2017/08/02	AZJ-1103A		
		APPD:	SCALE	SHEET	REV.
			4:1	1/1	A
					CUSTOMER DRAWING

THESE DRAWINGS AND SPECIFICATIONS ARE THE PROPERTY OF ACCURATE INNOTECH INC AND SHALL NOT BE REPRODUCED, COPIED OR USED IN ANY MANNER WITHOUT THE PRIOR WRITTEN CONSENT OF ACCURATE INNOTECH INC.

