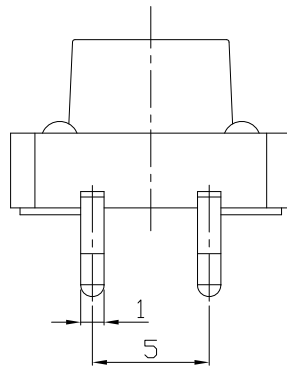
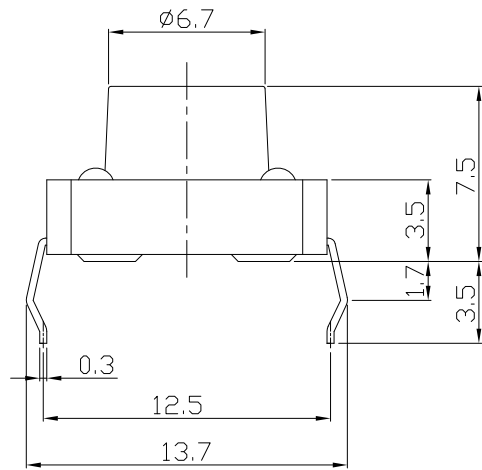




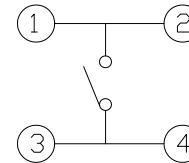
RoHS  
Compliant  
2002/95/EC

| REV. | ECN. | NO. | APPD. |
|------|------|-----|-------|
|      |      |     |       |
|      |      |     |       |
|      |      |     |       |

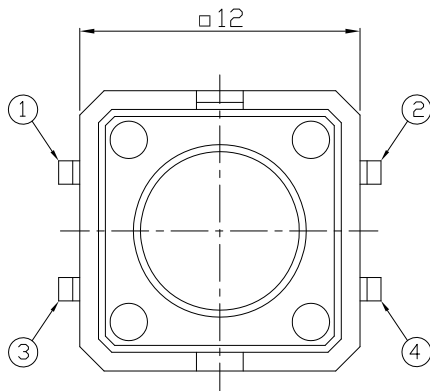
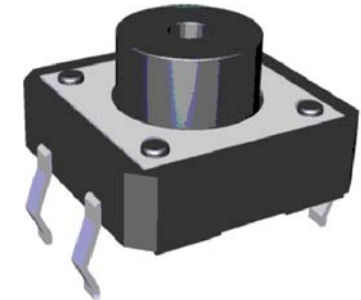
### DIMENSIONS



### CIRCUIT DIAGRAM

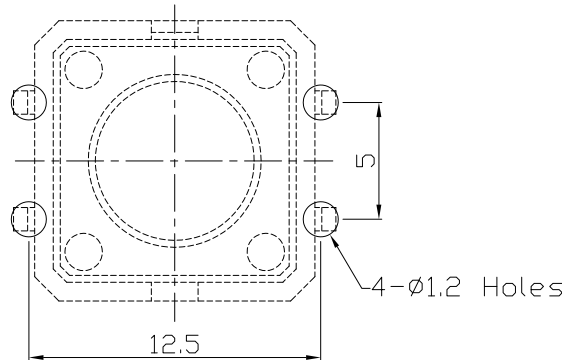


### PRODUCT IMAGE



### P.C.B MOUNTING PATTERN DIMENSION

The following soldering patterns are recommended for reflow soldering



### ELECTRO-MECHANICAL CHARACTERISTICS

Refer to additional specifications

|                        |              |          |
|------------------------|--------------|----------|
| Rating                 | DC 12V 50mA  |          |
| Contact Resistance     | 100mΩ Max.   |          |
| Travel                 | 0.3 ± 0.1mm  |          |
| Operating Force        | 130,160±30gf | 250±50gf |
| Operating Life(cycles) | 100,000      |          |

.X ±0.3

X. ±2'

UNITS

mm

MAT'L

SEE NOTE

FINISH

SEE NOTE

Q'TY

APPD:



雅安科技有限公司  
ACCURATE INNOTECH INC.

TITLE:  
TACT SWITCH

PART NO.:  
AT-1103B SERIES

DR: *Ricky* 2014/03/27

DWG NO.:  
ASI-1103B

CHKD: *Ricky* 2014/03/27

| SCALE | SHEET | REV. | CUSTOMER |
|-------|-------|------|----------|
| 1:1   | 1/1   | A    | DRAWING  |

THESE DRAWINGS AND SPECIFICATIONS ARE THE PROPERTY OF ACCURATE INNOTECH INC AND SHALL NOT BE REPRODUCED, COPIED OR USED IN ANY MANNER WITHOUT THE PRIOR WRITTEN CONSENT OF ACCURATE INNOTECH INC.