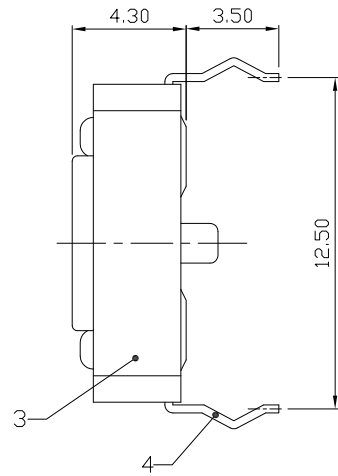
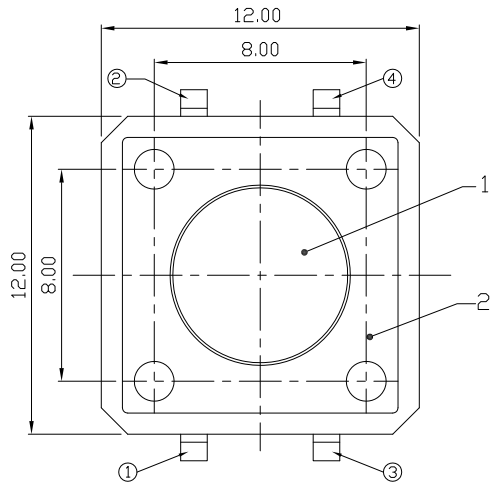




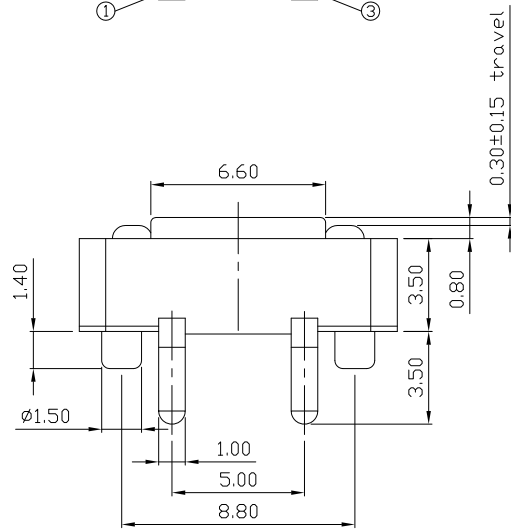
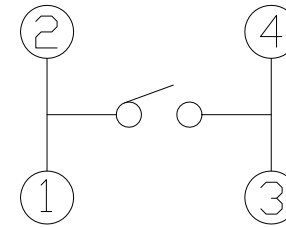
RoHS  
Compliant  
2002/95/EC

REV.	ECN.	NO.	APPD.

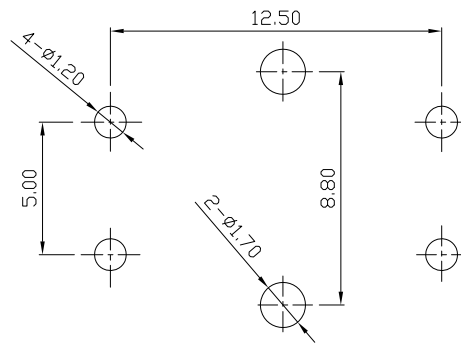
### DIMENSIONS



### CIRCUIT DIAGRAM



### P.C.B MOUNTING PATTERN DIMENSION



### ELECTRO-MECHANICAL CHARACTERISTICS

Refer to additional specifications

Rating	DC 12V 50mA	
Contact Resistance	100mΩ Max.	
Travel	0.30±0.15mm	
Operating Force	160±50gf	250±100gf
Operating Life(cycles)	100,000	

5	SPRING PLATE	PBS	1	Ag CALD	WITHIN 1.5mm:±0.1mm
4	TERMINAL	BRASS STRIP	1	Ag COATING	OVER 1.5mm:±0.2mm
3	CASE	NYLON+F.G	1	BLACK	
2	COVER	PET	1	NATURAL	
1	KNOB	NYLON+F.G	1	BLACK	
NO.	PARTS	MATERIAL	Q'TY	FINISHING	

THESE DRAWINGS AND SPECIFICATIONS ARE THE PROPERTY OF ACCURATE INNOTECH INC AND SHALL NOT BE REPRODUCED, COPIED OR USED IN ANY MANNER WITHOUT THE PRIOR WRITTEN CONSENT OF ACCURATE INNOTECH INC.

UNITS mm			
MAT'L			
SEE NOTE			
FINISH			
SEE NOTE			
Q'TY			
雅安科技有限公司 <b>ACCURATE INNOTECH INC.</b>		TITLE:	PART NO.:
		TACT SWITCH	AT-1103E SERIES
DR: <i>Ricky</i> 2017/08/02		DWG NO.:	
CHKD: <i>Ricky</i> 2017/08/02		AZJ-1103E	
APPD:	SCALE	SHEET	REV.
	4:1	1/1	A
CUSTOMER DRAWING			