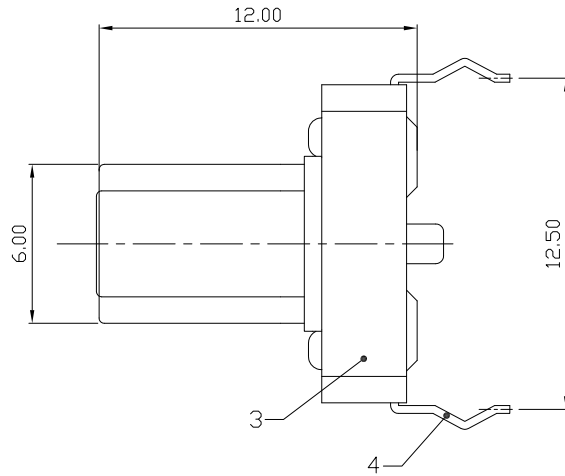
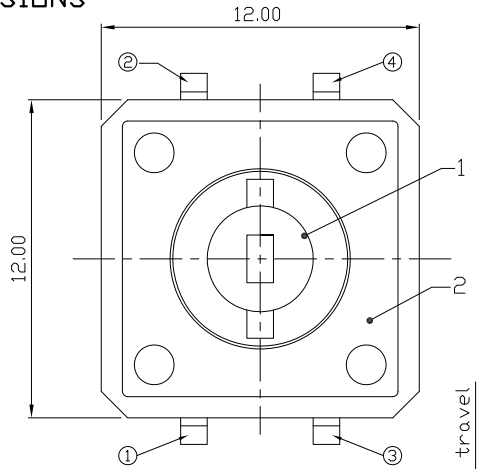




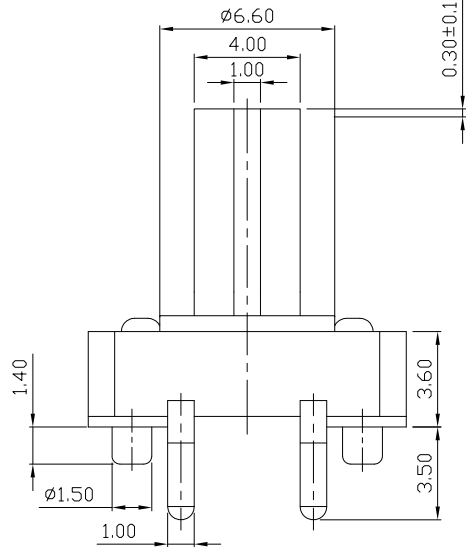
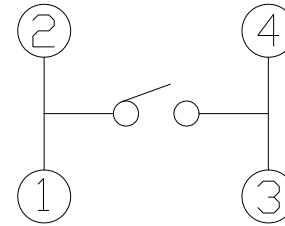
RoHS
Compliant
2002/95/EC

REV.	ECN.	NO.	APPD.

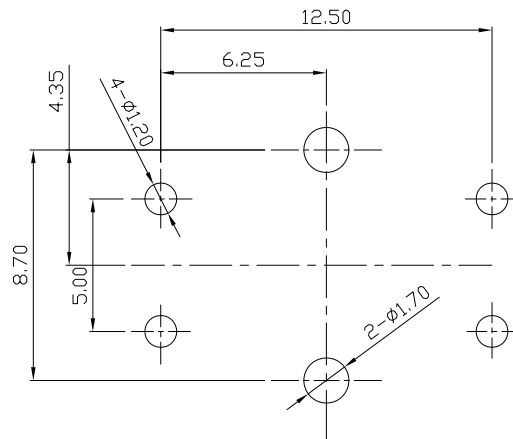
DIMENSIONS



CIRCUIT DIAGRAM



P.C.B MOUNTING PATTERN DIMENSION



ELECTRO-MECHANICAL CHARACTERISTICS

Refer to additional specifications

Rating	DC 12V 50mA	
Contact Resistance	100mΩ Max.	
Travel	0.30±0.15mm	
Operating Force	160±50gf	250±100gf
Operating Life(cycles)	100,000	

NO.	PARTS	MATERIAL	Q'TY	FINISHING	
5	SPRING PLATE	PBS	1	Ag CALD	WITHIN 1.5mm:±0.1mm
4	TERMINAL	BRASS STRIP	1	Ag COATING	OVER 1.5mm:±0.2mm
3	CASE	NYLON+F.G	1	BLACK	
2	COVER	MILD STEEL	1	Ni COATING	
1	KNOB	NYLON+F.G	1	NATURAL	

THESE DRAWINGS AND SPECIFICATIONS ARE THE PROPERTY OF ACCURATE INNOTECH INC AND SHALL NOT BE REPRODUCED, COPIED OR USED IN ANY MANNER WITHOUT THE PRIOR WRITTEN CONSENT OF ACCURATE INNOTECH INC.

UNITS	雅安科技有限公司 ACCURATE INNOTECH INC.			
mm	TITLE: TACT SWITCH		PART NO.: AT-1103EA SERIES	
MAT'L SEE NOTE	DR: <i>Ricky</i> 2017/08/02		DWG NO.: AZJ-1103EA	
FINISH SEE NOTE	CHKD: <i>Ricky</i> 2017/08/02		SCALE	SHEET
Q'TY	APPD:	4:1	1/1	REV. A
				CUSTOMER DRAWING