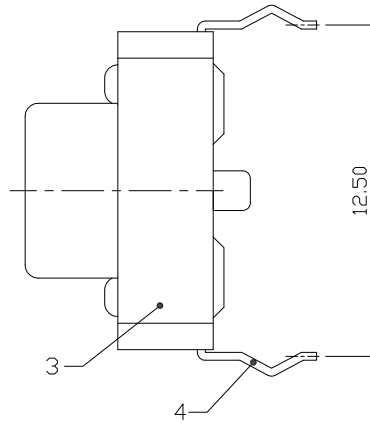
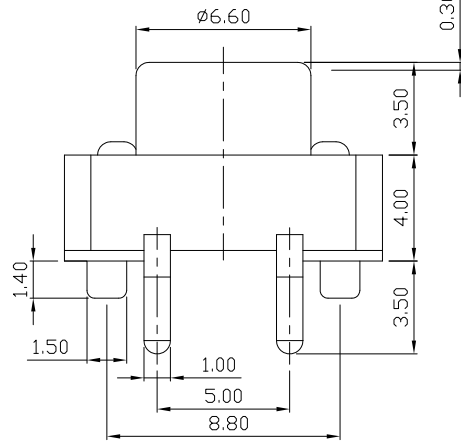
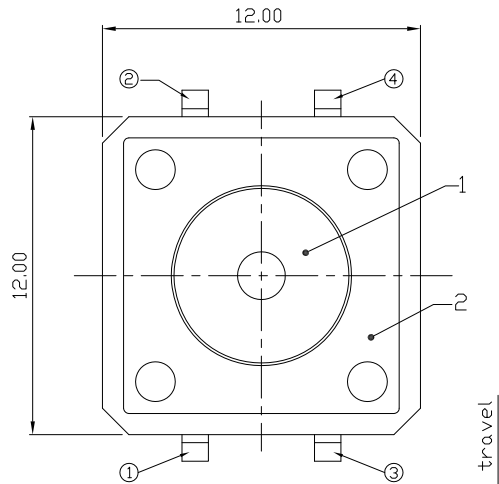




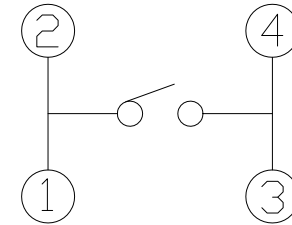
RoHS
Compliant
2002/95/EC

REV.	ECN.	NO.	APPD.

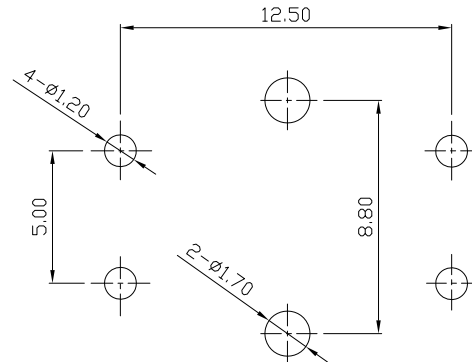
DIMENSIONS



CIRCUIT DIAGRAM



P.C.B MOUNTING PATTERN DIMENSION



ELECTRO-MECHANICAL CHARACTERISTICS

Refer to additional specifications

Rating	DC 12V 50mA	
Contact Resistance	100mΩ Max.	
Travel	0.30±0.15mm	
Operating Force	160±50gf	250±100gf
Operating Life(cycles)	100,000	

5	SPRING PLATE	PBS	1	Ag CALD	WITHIN 1.5mm:±0.1mm
4	TERMINAL	BRASS STRIP	4	Ag COATING	OVER 1.5mm:±0.2mm
3	CASE	NYLON+F.G	1	BLACK	
2	COVER	MILD STEEL	1	Ni COATING	
1	KNOB	NYLON+F.G	1	BLACK	
NO.	PARTS	MATERIAL	Q'TY	FINISHING	

THESE DRAWINGS AND SPECIFICATIONS ARE THE PROPERTY OF ACCURATE INNOTECH INC AND SHALL NOT BE REPRODUCED, COPIED OR USED IN ANY MANNER WITHOUT THE PRIOR WRITTEN CONSENT OF ACCURATE INNOTECH INC.

UNITS	mm	雅安科技有限公司 ACCURATE INNOTECH INC.			
MAT'L	SEE NOTE				
FINISH	SEE NOTE	TITLE:	PART NO.:		
Q'TY		TACT SWITCH	AT-1103EB SERIES		
		DR: Ricky 2017/08/02	DWG NO.:		
		CHKD: Ricky 2017/08/02	AZJ-1103EB		
		APPD:	SCALE	SHEET	REV.
			4:1	1/1	A
			CUSTOMER DRAWING		