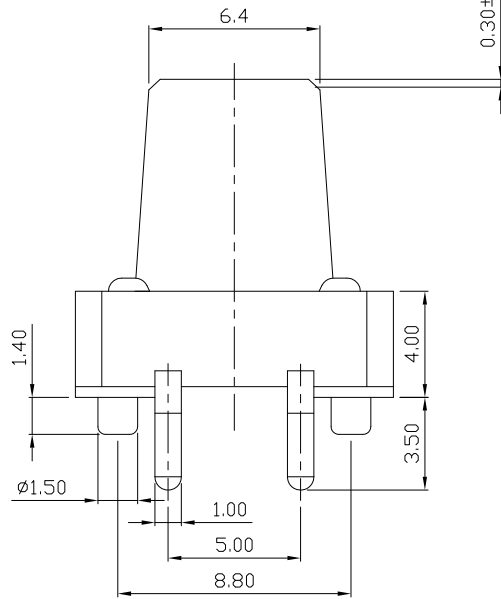
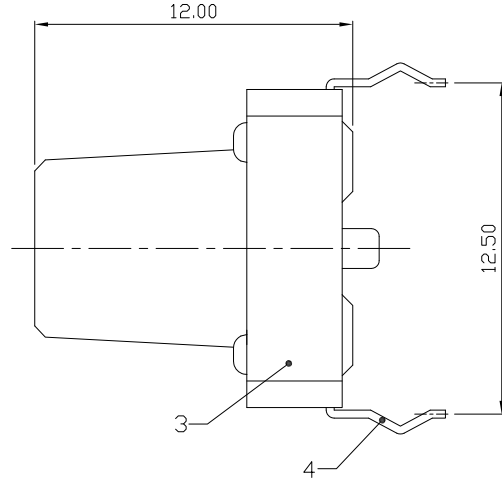
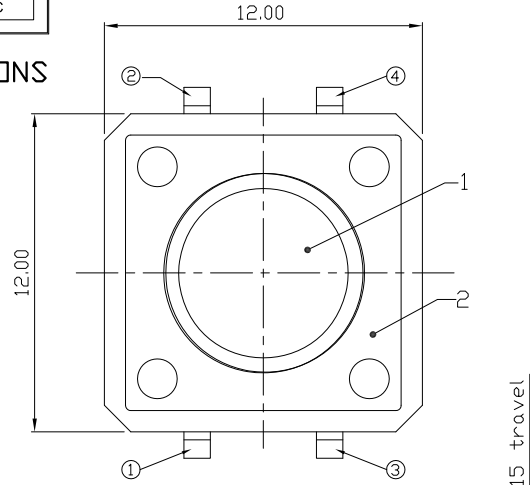




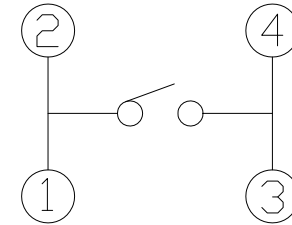
RoHS  
Compliant  
2002/95/EC

REV.	ECN.	NO.	APPD.

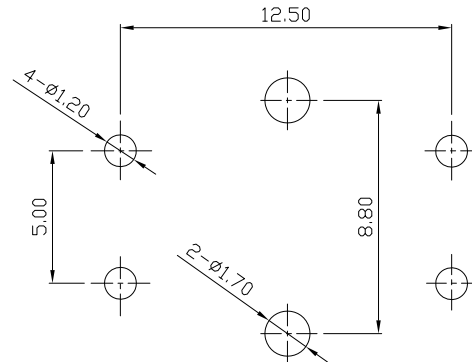
**DIMENSIONS**



**CIRCUIT DIAGRAM**



**P.C.B MOUNTING PATTERN DIMENSION**



**ELECTRO-MECHANICAL CHARACTERISTICS**

Refer to additional specifications

Rating	DC 12V 50mA	
Contact Resistance	100mΩ Max.	
Travel	0.30±0.15mm	
Operating Force	160±50gf	250±100gf
Operating Life(cycles)	100,000	

5	SPRING PLATE	PBS	1	Ag CALD	WITHIN 1.5mm:±0.1mm
4	TERMINAL	BRASS STRIP	4	Ag COATING	OVER 1.5mm:±0.2mm
3	CASE	NYLON+F.G	1	BLACK	
2	COVER	MILD STEEL	1	Ni COATING	
1	KNOB	NYLON+F.G	1	GREY	
NO.	PARTS	MATERIAL	Q'TY	FINISHING	

THESE DRAWINGS AND SPECIFICATIONS ARE THE PROPERTY OF ACCURATE INNOTECH INC AND SHALL NOT BE REPRODUCED, COPIED OR USED IN ANY MANNER WITHOUT THE PRIOR WRITTEN CONSENT OF ACCURATE INNOTECH INC.

UNITS	雅安科技有限公司 ACCURATE INNOTECH INC.			
mm	TITLE: TACT SWITCH		PART NO.: AT-1103ED SERIES	
MAT'L SEE NOTE	DR: <i>Ricky</i> 2017/08/03		DWG NO.: AZJ-1103ED	
FINISH SEE NOTE	CHKD: <i>Ricky</i> 2017/08/03		SCALE	SHEET
Q'TY	APPD:	4:1	1/1	REV. A
				CUSTOMER DRAWING