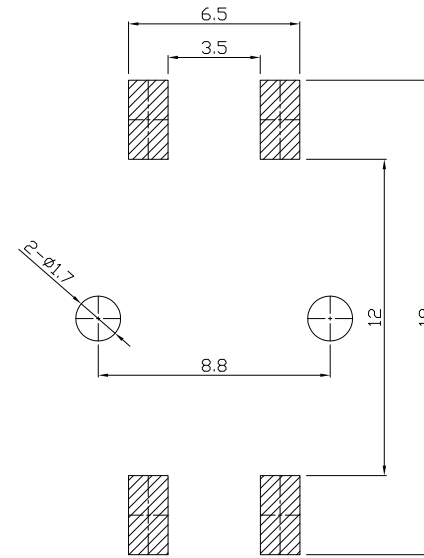




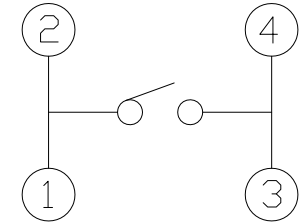
RoHS
Compliant
2002/95/EC

REV.	ECN. NO.	APPD.

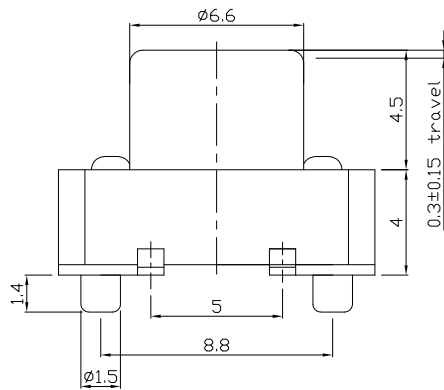
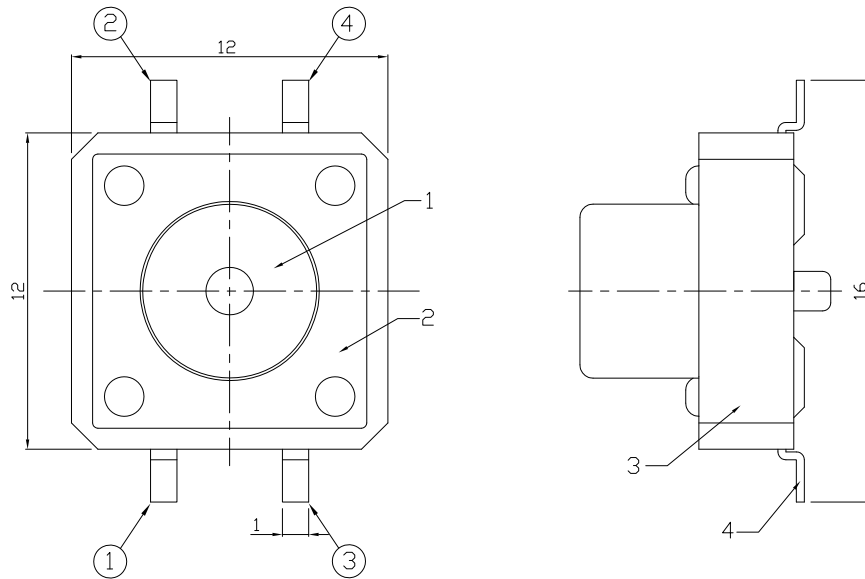
P.C.B MOUNTING PATTERN DIMENSION



CIRCUIT DIAGRAM



DIMENSIONS



ELECTRO-MECHANICAL CHARACTERISTICS

Refer to additional specifications

Rating	DC 12V 50mA	
Contact Resistance	100mΩ Max.	
Travel	0.3±0.15mm	
Operating Force	160±50gf	250±100gf
Operating Life(cycles)	100,000	

NO.	PART NAME	MATERIAL	QTY.	FINISHING		UNITS			
5	SPRING PLATE	PBS	1	Ag CLAD	WITHIN 1.5mm ±0.1	mm			
4	TERMINAL	BRASS STRIP	4	Ag COATING	OVER 1.5mm ±0.2	MAT'L			
3	CASE	NYLON+F.G	1	BLACK		SEE NOTE			
2	COVER	MILD STEEL	1	Ni COATING		FINISH			
1	KNOB	NYLON+F.G	1	BLACK		SEE NOTE			
						Q'TY			

THESE DRAWINGS AND SPECIFICATIONS ARE THE PROPERTY OF ACCURATE INNOTECH INC AND SHALL NOT BE REPRODUCED, COPIED OR USED IN ANY MANNER WITHOUT THE PRIOR WRITTEN CONSENT OF ACCURATE INNOTECH INC.

雅安科技有限公司 ACCURATE INNOTECH INC.			
TITLE: TACT SWITCH		PART NO.: AT-1103SE-8.5 SERIES	
DR: Ricky 2017/09/21		DWG NO.: AZJ-1103SE-8.5	
CHKD: Ricky 2017/09/21		SCALE	SHEET
APPD:		4:1	1/1
		REV.	CUSTOMER DRAWING
		A	