

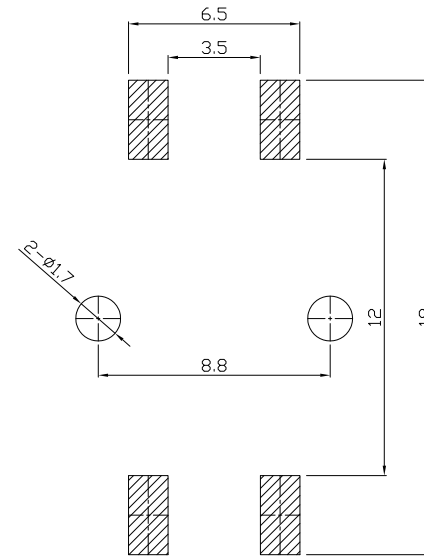
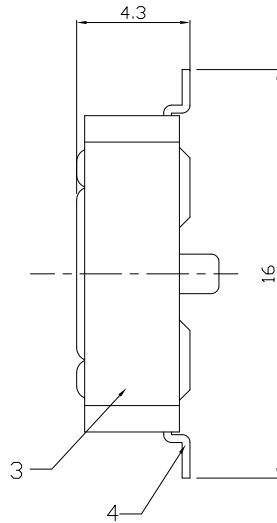
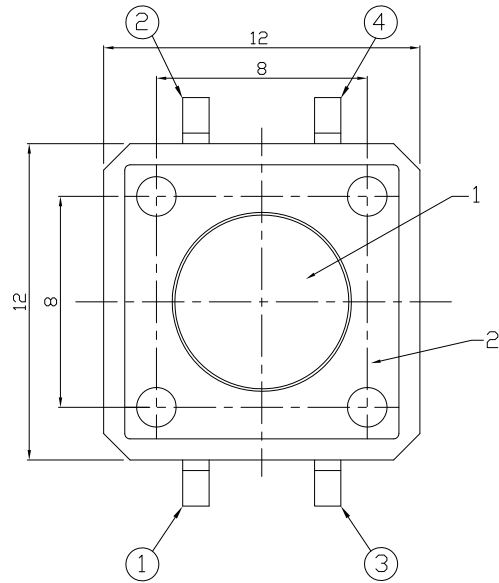


RoHS  
Compliant  
2002/95/EC

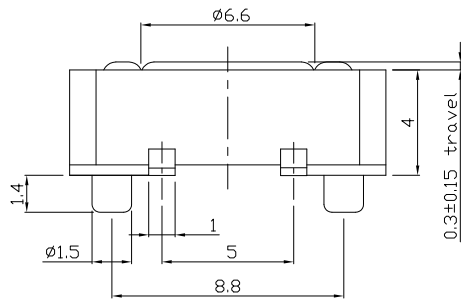
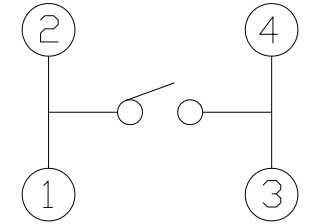
REV.	ECN.	NO.	APPD.

### P.C.B MOUNTING PATTERN DIMENSION

### DIMENSIONS



### CIRCUIT DIAGRAM



### ELECTRO-MECHANICAL CHARACTERISTICS

Refer to additional specifications

Rating	DC 12V 50mA		
Contact Resistance	100mΩ Max.		
Travel	0.3±0.15mm		
Operating Force	160±50gf	250±100gf	
Operating Life(cycles)	100,000		

NO.	PART NAME	MATERIAL	QTY.	FINISHING
5	SPRING PLATE	PBS	1	Ag CLAD
4	TERMINAL	BRASS STRIP	4	Ag COATING
3	CASE	NYLON+F.G	1	BLACK
2	COVER	MILD STEEL	1	Ni COATING
1	KNOB	NYLON+F.G	1	BLACK

WITHIN 1.5mm ±0.1  
OVER 1.5mm ±0.2

THESE DRAWINGS AND SPECIFICATIONS ARE THE PROPERTY OF ACCURATE INNOTECH INC AND SHALL NOT BE REPRODUCED, COPIED OR USED IN ANY MANNER WITHOUT THE PRIOR WRITTEN CONSENT OF ACCURATE INNOTECH INC.

UNITS	雅安科技有限公司			
MAT'L	ACCURATE INNOTECH INC.			
SEE NOTE	TITLE:	PART NO.:		
SEE NOTE	TACT SWITCH	AT-1103SE SERIES		
Q'TY	DR: Ricky 2017/09/20	DWG NO.:		
	CHKD: Ricky 2017/09/20	AZJ-1103SE		
	APPD:	SCALE	SHEET	REV.
		4:1	1/1	A
				CUSTOMER DRAWING