

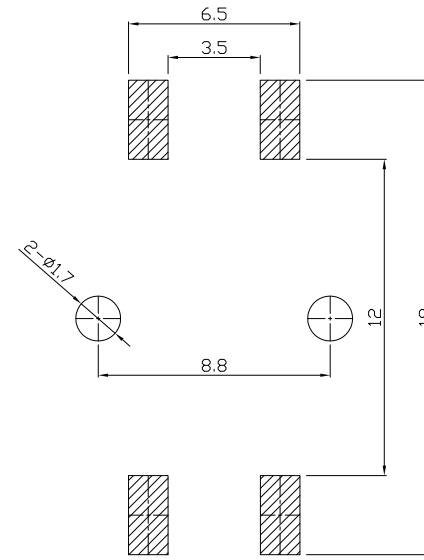
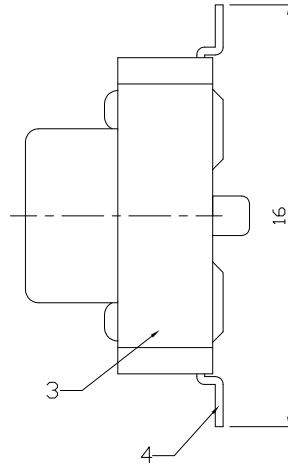
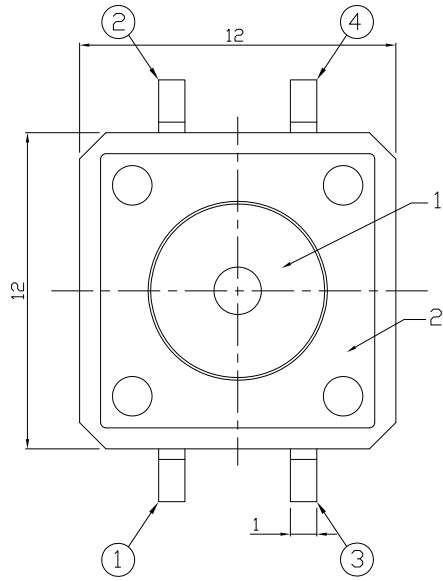


RoHS
Compliant
2002/95/EC

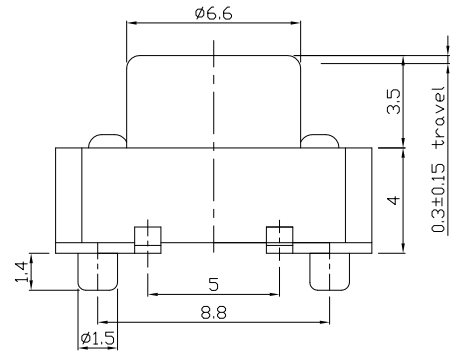
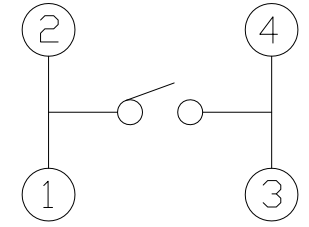
REV.	ECN.	NO.	APPD.

P.C.B MOUNTING PATTERN DIMENSION

DIMENSIONS



CIRCUIT DIAGRAM



ELECTRO-MECHANICAL CHARACTERISTICS

Refer to additional specifications

Rating	DC 12V 50mA	
Contact Resistance	100mΩ Max.	
Travel	0.3±0.15mm	
Operating Force	160±50gf	250±100gf
Operating Life(cycles)	100,000	

NO.	PART NAME	MATERIAL	QTY.	FINISHING		UNITS			
5	SPRING PLATE	PBS	1	Ag CLAD	WITHIN 1.5mm ±0.1	mm			
4	TERMINAL	BRASS STRIP	4	Ag COATING	OVER 1.5mm ±0.2	MAT'L			
3	CASE	NYLON+F.G	1	BLACK		SEE NOTE	TITLE:	PART NO.:	
2	COVER	MILD STEEL	1	Ni COATING		FINISH	TACT SWITCH	AT-1103SEB SERIES	
1	KNOB	NYLON+F.G	1	BLACK		SEE NOTE	DR: <i>Ricky</i> 2017/09/20	DWG NO.:	AZJ-1103SEB
						Q'TY	CHKD: <i>Ricky</i> 2017/09/20	SCALE	SHEET
							APPD:	4:1	1/1
								REV.	CUSTOMER
								A	DRAWING

THESE DRAWINGS AND SPECIFICATIONS ARE THE PROPERTY OF ACCURATE INNOTECH INC AND SHALL NOT BE REPRODUCED, COPIED OR USED IN ANY MANNER WITHOUT THE PRIOR WRITTEN CONSENT OF ACCURATE INNOTECH INC.



雅安科技有限公司
ACCURATE INNOTECH INC.

TITLE: TACT SWITCH
PART NO.: AT-1103SEB SERIES
DR: *Ricky* 2017/09/20
DWG NO.: AZJ-1103SEB
CHKD: *Ricky* 2017/09/20
APPD:
SCALE: 4:1
SHEET: 1/1
REV: A
CUSTOMER DRAWING