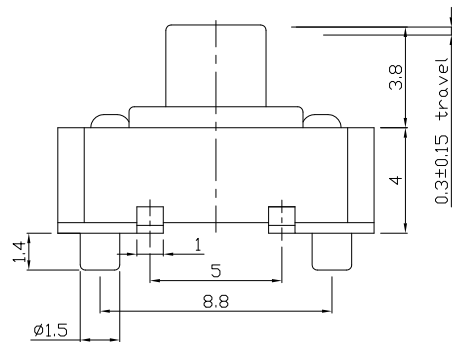
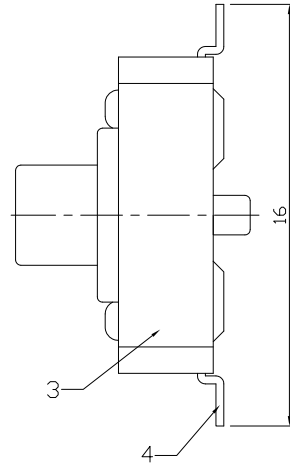
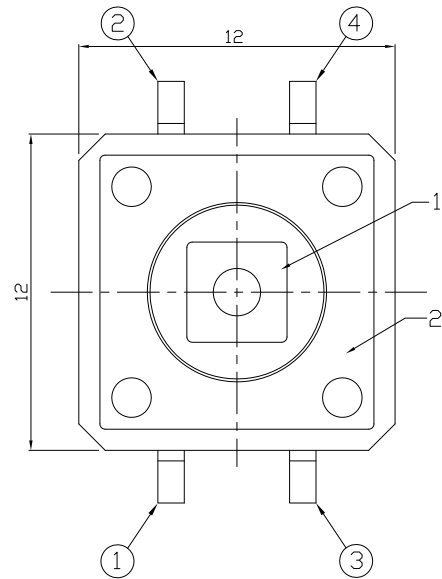




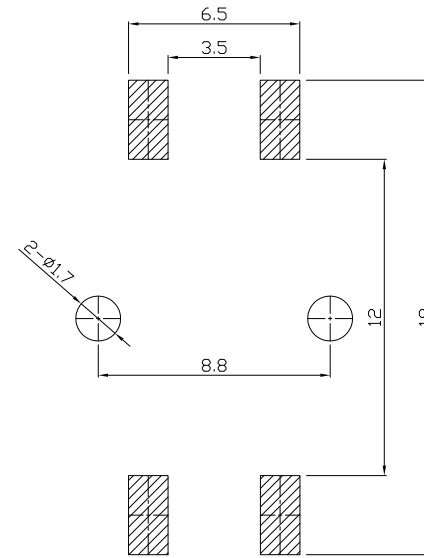
RoHS  
Compliant  
2002/95/EC

REV.	ECN.	NO.	APPD.

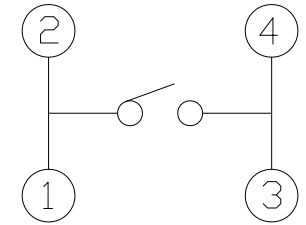
### DIMENSIONS



### P.C.B MOUNTING PATTERN DIMENSION



### CIRCUIT DIAGRAM



### ELECTRO-MECHANICAL CHARACTERISTICS

Refer to additional specifications

Rating	DC 12V 50mA		
Contact Resistance	100mΩ Max.		
Travel	0.3±0.15mm		
Operating Force	160±50gf	250±100gf	
Operating Life(cycles)	100,000		

5	SPRING PLATE	PBS	1	Ag CLAD	WITHIN 1.5mm ±0.1
4	TERMINAL	BRASS STRIP	4	Ag COATING	OVER 1.5mm ±0.2
3	CASE	NYLON+F.G	1	BLACK	
2	COVER	MILD STEEL	1	Ni COATING	
1	KNOB	NYLON+F.G	1	BLACK	
NO.	PART NAME	MATERIAL	QTY.	FINISHING	

THESE DRAWINGS AND SPECIFICATIONS ARE THE PROPERTY OF ACCURATE INNOTECH INC AND SHALL NOT BE REPRODUCED, COPIED OR USED IN ANY MANNER WITHOUT THE PRIOR WRITTEN CONSENT OF ACCURATE INNOTECH INC.

UNITS	雅安科技有限公司			
MAT'L	ACCURATE INNOTECH INC.			
SEE NOTE	TITLE:	PART NO.:		
SEE NOTE	TACT SWITCH	AT-1103SEC SERIES		
Q'TY	DR: Ricky 2017/09/20	DWG NO.:		
	CHKD: Ricky 2017/09/20	AZJ-1103SEC		
	APPD:	SCALE	SHEET	REV.
		4:1	1/1	A
				CUSTOMER DRAWING