

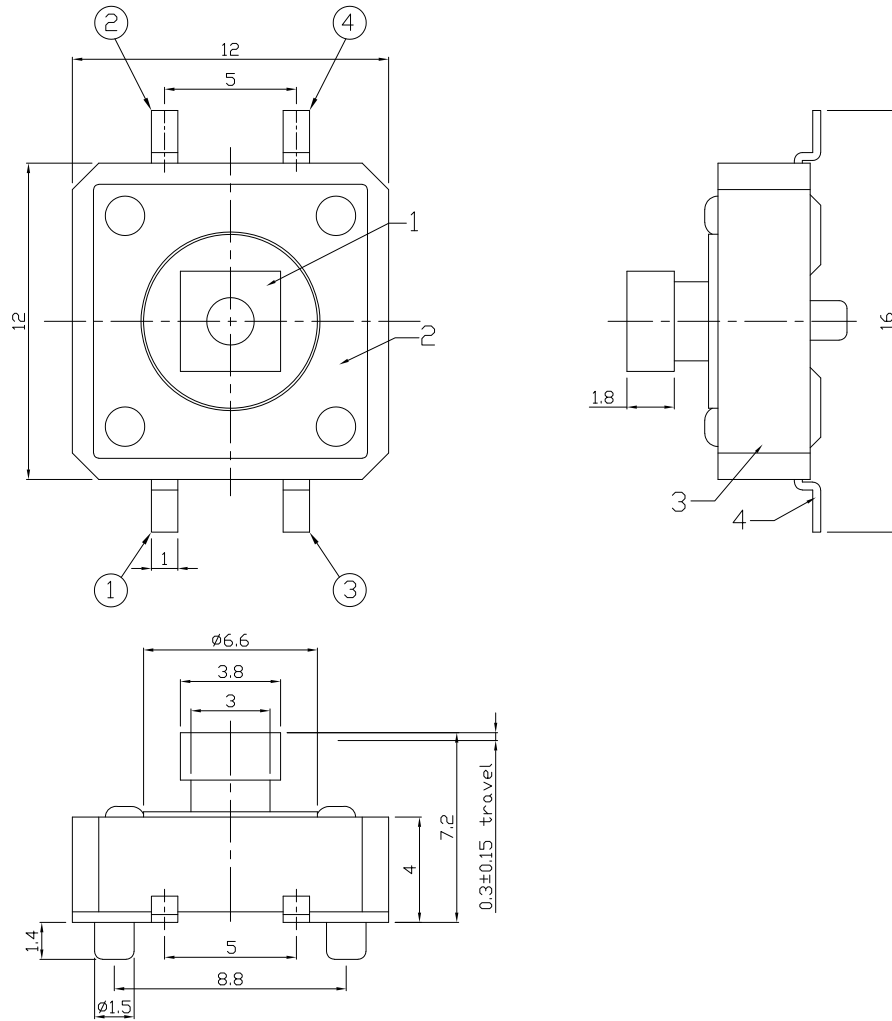


RoHS Compliant
2002/95/EC

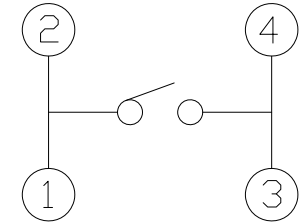
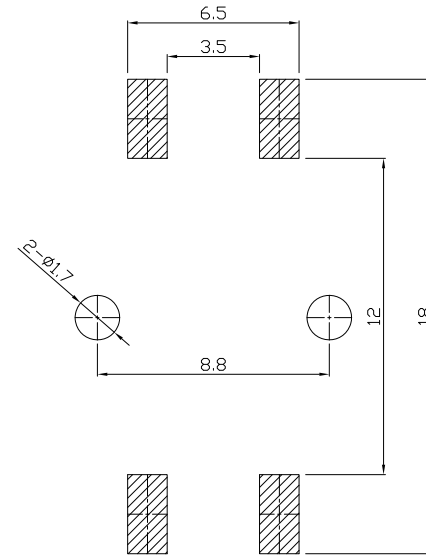
| REV. | ECN. NO. | APPD. |
|------|----------|-------|
| | | |
| | | |
| | | |

P.C.B MOUNTING PATTERN DIMENSION

DIMENSIONS



CIRCUIT DIAGRAM



ELECTRO-MECHANICAL CHARACTERISTICS
Refer to additional specifications

| | | |
|------------------------|--------------------|-----------------|
| Rating | DC 12V 50mA | |
| Contact Resistance | 100m Ω Max. | |
| Travel | 0.3 \pm 0.15mm | |
| Operating Force | 160 \pm 50gf | 250 \pm 100gf |
| Operating Life(cycles) | 100,000 | |

| | | | | |
|-----|--------------|-------------|------|-------------|
| 5 | SPRING PLATE | PBS | 1 | Ag CLAD |
| 4 | TERMINAL | BRASS STRIP | 4 | Ag COATING |
| 3 | CASE | NYLON+F.G | 1 | BLACK |
| 2 | COVER | MILD STEEL | 1 | Ni COATING |
| 1 | KNOB | NYLON+F.G | 1 | BLACH/WHITE |
| NO. | PART NAME | MATERIAL | QTY. | FINISHING |

| | |
|------------------------|----------|
| WITHIN 1.5mm \pm 0.1 | UNITS mm |
| OVER 1.5mm \pm 0.2 | |
| SEE NOTE | MAT'L |
| SEE NOTE | FINISH |
| SEE NOTE | Q'TY |

| | | | |
|------------------------------------|--|--------------------------------|------------------|
| 雅安科技有限公司 ACCURATE INNOTECH INC. | | | |
| TITLE: TACT SWITCH | | PART NO.: AT-1103SET SERIES | |
| DR: Ricky 2017/09/21 | | DWG NO.: AZJ-1103SET | |
| CHKD: Ricky 2017/09/21 | | SCALE | SHEET |
| APPD: | | 4:1 | 1/1 |
| | | REV. | CUSTOMER DRAWING |
| | | A | |

THESE DRAWINGS AND SPECIFICATIONS ARE THE PROPERTY OF ACCURATE INNOTECH INC AND SHALL NOT BE REPRODUCED, COPIED OR USED IN ANY MANNER WITHOUT THE PRIOR WRITTEN CONSENT OF ACCURATE INNOTECH INC.

