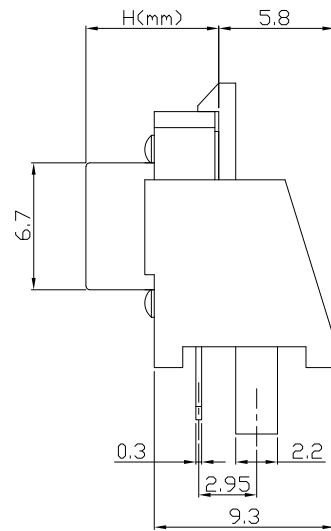
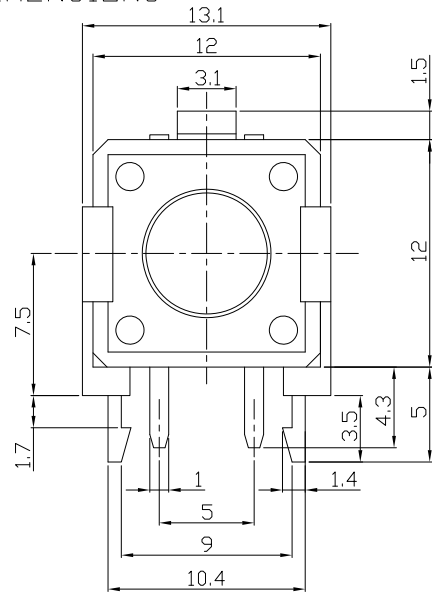




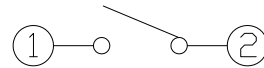
RoHS Compliant
2002/95/EC

REV.	ECN. NO.	APPD.

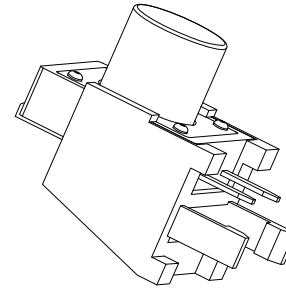
DIMENSIONS



CIRCUIT DIAGRAM



PRODUCT IMAGE



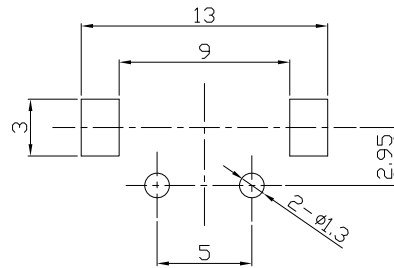
MODEL CODE

AT-1103VN-

H
4.3
5.0
5.5
6.0
6.5
7.0
7.5
8.0
8.5
9.0
9.5

P.C.B MOUNTING PATTERN DIMENSION

The following soldering patterns are recommended for reflow soldering



ELECTRO-MECHANICAL CHARACTERISTICS

Refer to additional specifications

Rating	DC 12V 50mA	
Contact Resistance	100mΩ Max.	
Travel	0.35 ± 0.1mm	
Operating Force	160±30gf	250±50gf
Operating Life(cycles)	100,000	

.X	±0.3	X.	±2'	UNITS	雅安科技有限公司 ACCURATE INNOTECH INC.			
				mm	TITLE: TACT SWITCH		PART NO.: AT-1103VN SERIES	
				MAT'L	DR: <i>Ricky</i> 2024/03/22		DWG NO.: ASI-1103VN	
				SEE NOTE	CHKD: <i>Ricky</i> 2024/03/22		SCALE	
				FINISH	APPD:		SHEET	REV.
				SEE NOTE	1:1	1/1	A	CUSTOMER DRAWING
				Q'TY				

THESE DRAWINGS AND SPECIFICATIONS ARE THE PROPERTY OF ACCURATE INNOTECH INC AND SHALL NOT BE REPRODUCED, COPIED OR USED IN ANY MANNER WITHOUT THE PRIOR WRITTEN CONSENT OF ACCURATE INNOTECH INC.

