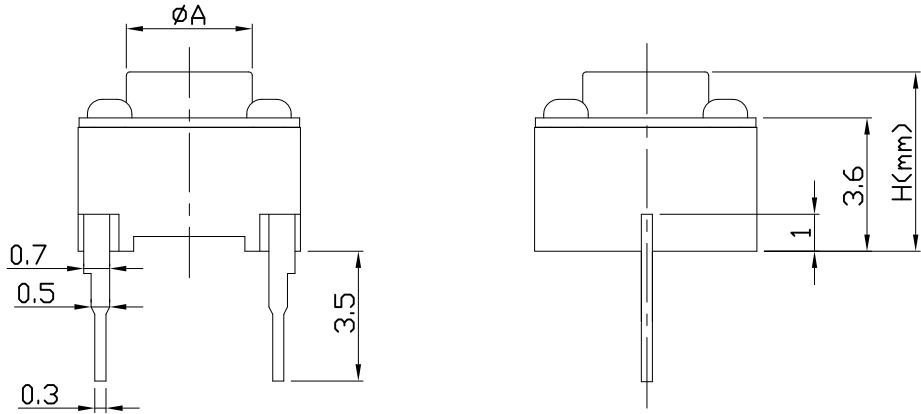




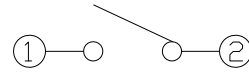
RoHS
Compliant
2002/95/EC

REV.	ECN. NO.	APPD.

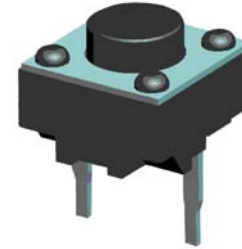
DIMENSIONS



CIRCUIT DIAGRAM



PRODUCT IMAGE



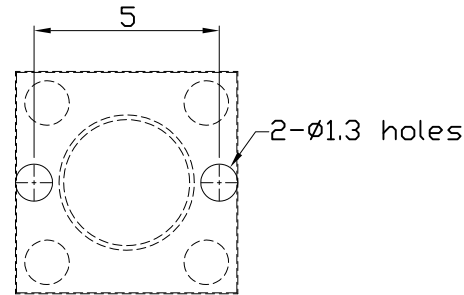
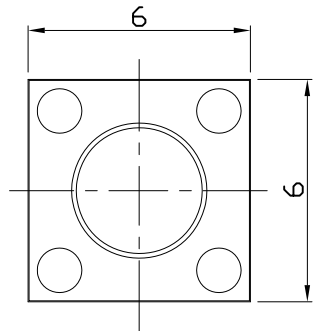
MODEL CODE

AT-1104-

	H	ϕA
-	4.3	3.5
AS	4.5	3.5
A	5.0	3.5
AL	5.5	3.4
Q	6.0	3.4
QL	6.5	3.4
B	7.0	3.4
E	7.3	3.4
EL	7.5	3.4
C	8.0	3.4
CL	8.5	3.4
DS	9.0	3.4
D	9.5	3.4
DL	10.0	3.0
KS	10.5	3.0
K	11.0	3.0
KL	11.5	3.0
FS	12.0	3.0
F	12.5	3.0
FL	13.0	3.0
G	13.5	3.0
D	14.0	3.0
X	14.5	3.0
Y	15.0	3.0
Z	16.0	3.0
J	16.5	3.0
I	17.0	3.0
T	2.4×2.4	
TA	2.8×2.8	

P.C.B MOUNTING PATTERN DIMENSION

The following soldering patterns are recommended for reflow soldering



ELECTRO-MECHANICAL CHARACTERISTICS

Refer to additional specifications

Rating	DC 12V 50mA	
Contact Resistance	100m Ω Max.	
Travel	0.25 \pm 0.1mm	
Operating Force	100,130,160 \pm 30gf	250 \pm 50gf
Operating Life(cycles)	100,000	Phosphor Bronze
	200,000	Stainless Steel

.X \pm 0.3	X. \pm 2'	UNITS mm
		MAT'L
		SEE NOTE
		FINISH
		SEE NOTE
		Q'TY

THESE DRAWINGS AND SPECIFICATIONS ARE THE PROPERTY OF ACCURATE INNOTECH INC AND SHALL NOT BE REPRODUCED, COPIED OR USED IN ANY MANNER WITHOUT THE PRIOR WRITTEN CONSENT OF ACCURATE INNOTECH INC.

雅安科技有限公司
ACCURATE INNOTECH INC.

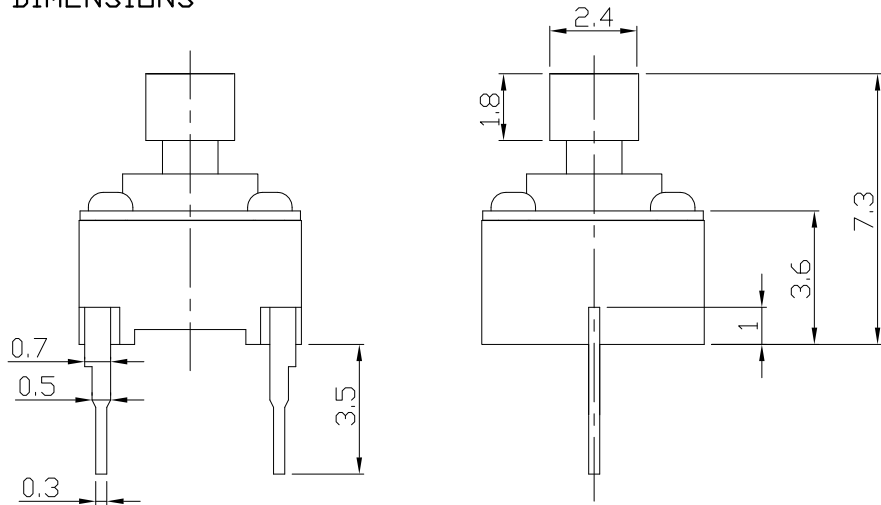
TITLE: TACT SWITCH	PART NO.: AT-1104 SERIES
DR: Ricky 2014/03/27	DWG NO.: ASI-1104
CHKD: Ricky 2014/03/27	SCALE SHEET REV. CUSTOMER 1:1 1/1 A DRAWING
APPD:	



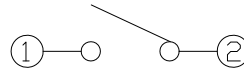
RoHS
Compliant
2002/95/EC

REV.	ECN. NO.	APPD.

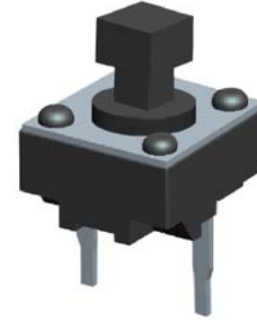
DIMENSIONS



CIRCUIT DIAGRAM



PRODUCT IMAGE



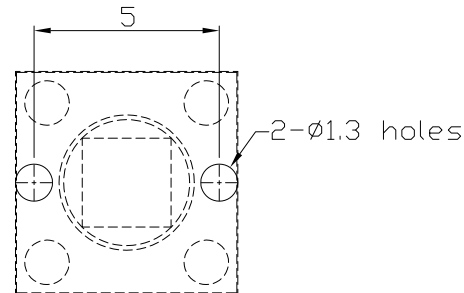
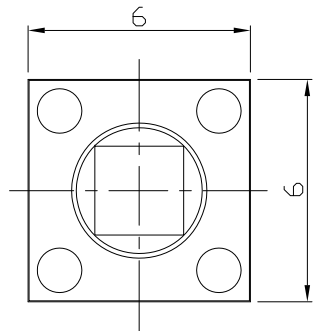
MODEL CODE

AT-1104-

	H	φA
-	4.3	3.5
AS	4.5	3.5
A	5.0	3.5
AL	5.5	3.4
Q	6.0	3.4
QL	6.5	3.4
B	7.0	3.4
E	7.3	3.4
EL	7.5	3.4
C	8.0	3.4
CL	8.5	3.4
DS	9.0	3.4
D	9.5	3.4
DL	10.0	3.0
KS	10.5	3.0
K	11.0	3.0
KL	11.5	3.0
FS	12.0	3.0
F	12.5	3.0
FL	13.0	3.0
G	13.5	3.0
□	14.0	3.0
X	14.5	3.0
Y	15.0	3.0
Z	16.0	3.0
J	16.5	3.0
I	17.0	3.0
T	□2.4X2.4	
TA	□2.8X2.8	

P.C.B MOUNTING PATTERN DIMENSION

The following soldering patterns are recommended for reflow soldering



ELECTRO-MECHANICAL CHARACTERISTICS

Refer to additional specifications

Rating	DC 12V 50mA	
Contact Resistance	100mΩ Max.	
Travel	0.25 ± 0.1mm	
Operating Force	100,130,160±30gf	250±50gf
Operating Life(cycles)	100,000	Phosphor Bronze
	200,000	Stainless Steel

.X ±0.3	X. ±2'	UNITS mm
		MAT'L
		SEE NOTE
		FINISH
		SEE NOTE
		Q'TY
<small>THESE DRAWINGS AND SPECIFICATIONS ARE THE PROPERTY OF ACCURATE INNOTECH INC AND SHALL NOT BE REPRODUCED, COPIED OR USED IN ANY MANNER WITHOUT THE PRIOR WRITTEN CONSENT OF ACCURATE INNOTECH INC.</small>		

雅安科技有限公司
ACCURATE INNOTECH INC.

TITLE: TACT SWITCH	PART NO.: AT-1104T SERIES
DR: <i>Ricky</i> 2016/09/02	DWG NO.: ASI-1104T
CHKD: <i>Ricky</i> 2016/09/02	SCALE SHEET REV. CUSTOMER DRAWING
APPD:	1:1 1/1 A