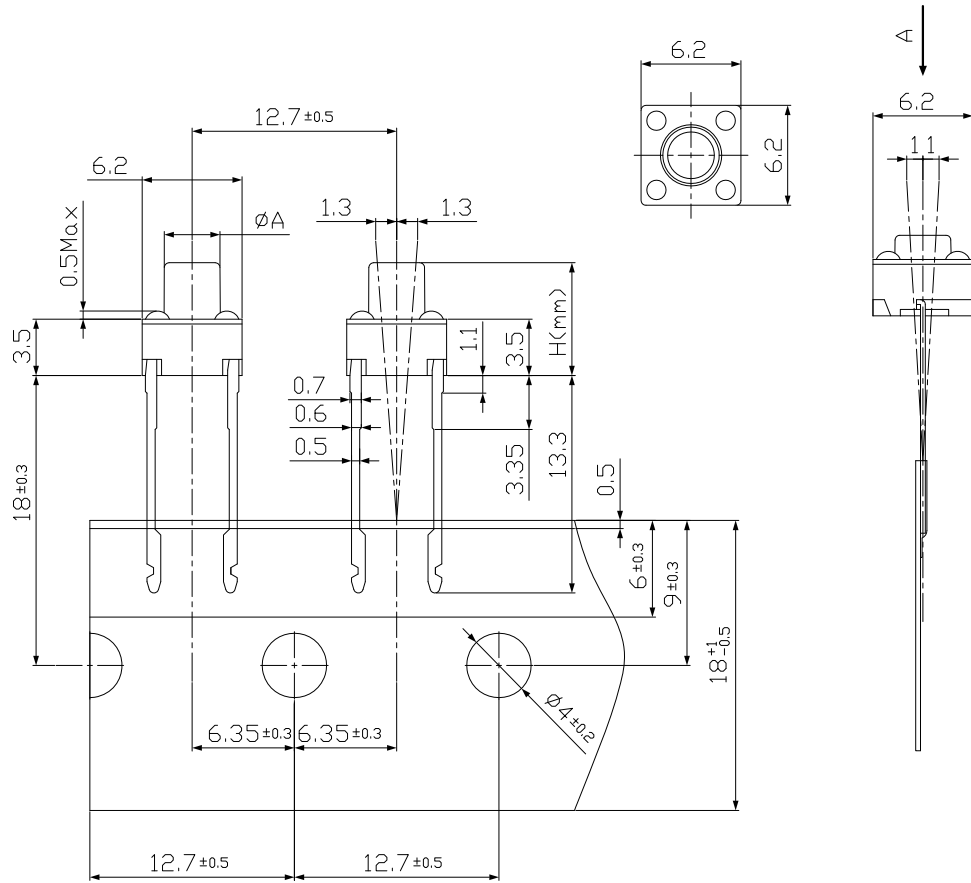




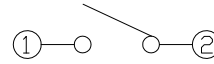
RoHS Compliant  
2002/95/EC

REV.	ECN. NO.	APPD.

**DIMENSIONS**



**CIRCUIT DIAGRAM**



**PRODUCT IMAGE**

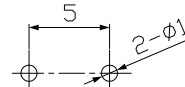


**MODEL CODE**

AT-1104RT

	H	ØA
-	4.3	3.4
AS	4.5	3.4
A	5.0	3.4
AL	5.5	3.3
Q	6.0	3.3
QL	6.5	3.3
B	7.0	3.3
E	7.3	3.3
EL	7.5	3.3
C	8.0	3.3
CL	8.5	3.3
DS	9.0	3.3
D	9.5	3.3
DL	10.0	3.0
KS	10.5	3.0
K	11.0	3.0
KL	11.5	3.0
FS	12.0	3.0
F	12.5	3.0
FL	13.0	3.0
G	13.5	3.0
D	14.0	3.0
X	14.5	3.0
Y	15.0	3.0
Z	16.0	3.0
J	16.3	3.0
I	17.0	3.0

**PCB HOLE DETAILS**



**ELECTRO-MECHANICAL CHARACTERISTICS**

Refer to additional specifications

Rating	DC 12V 50mA	
Contact Resistance	100mΩ Max.	
Travel	0.25 ± 0.1mm	
Operating Force	100,130,160±30gf	250±50gf
Operating Life(cycles)	100,000	

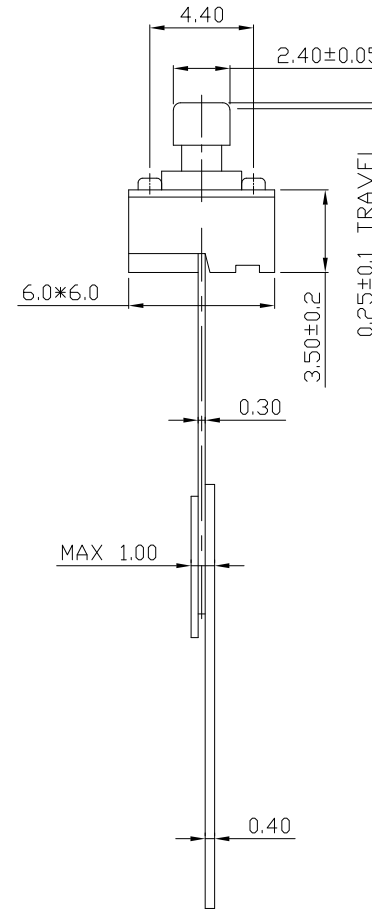
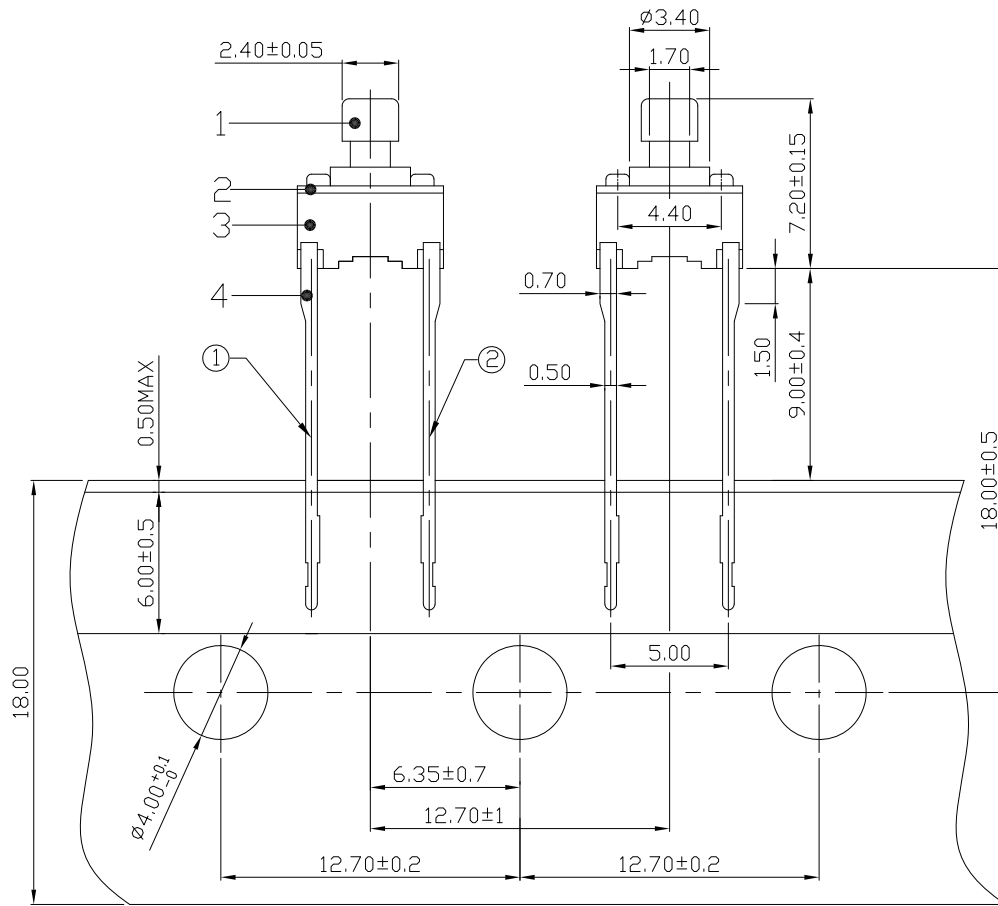
.X ±0.3	X. ±2'	UNITS mm	<p>雅安科技有限公司 ACCURATE INNOTECH INC.</p> <p>TITLE: TACT SWITCH PART NO.: AT-1104RT SERIES</p> <p>DR: <i>Ricky</i> 2015/03/18 DWG NO.: ASI-1104RT</p> <p>CHKD: <i>Ricky</i> 2015/03/18</p> <p>APPD:</p> <table border="1"> <tr> <td>SCALE</td> <td>SHEET</td> <td>REV.</td> <td>CUSTOMER</td> </tr> <tr> <td>1:1</td> <td>1/1</td> <td>A</td> <td>DRAWING</td> </tr> </table>				SCALE	SHEET	REV.	CUSTOMER	1:1	1/1	A	DRAWING
SCALE	SHEET	REV.					CUSTOMER							
1:1	1/1	A					DRAWING							
		MAT'L												
		SEE NOTE												
		FINISH												
		SEE NOTE												
<small>THESE DRAWINGS AND SPECIFICATIONS ARE THE PROPERTY OF ACCURATE INNOTECH INC AND SHALL NOT BE REPRODUCED, COPIED OR USED IN ANY MANNER WITHOUT THE PRIOR WRITTEN CONSENT OF ACCURATE INNOTECH INC.</small>														



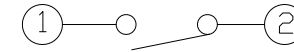
RoHS Compliant  
2002/95/EC

REV.	ECN. NO.	APPD.

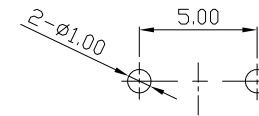
DIMENSIONS



CIRCUIT DIAGRAM



P.C.B MOUNTING PATTERN DIMENSION



ELECTRO-MECHANICAL CHARACTERISTICS

Refer to additional specifications

Rating	DC 12V 50mA
Contact Resistance	100mΩ Max.
Travel	0.25±0.1
Operating Force	100/130/160±50gf 250±100gf
Operating Life(cycles)	100,000

6					WITHIN 1.5mm:±0.1mm
5	CONTACT	PBS C5210R-EH/SUS	1	Ag CALD	OVER 1.5mm:±0.2mm
4	TERMINAL	BRASS STRIP	2	Ag PLATED	
3	CASE	NYLON+F.G	1	BLACK	
2	COVER	MILD STEEL	1	Ni PLATED	
1	KNOB	PBT+F.G/NYLON+F.G	1	BLACK	
NO.	PARTS	MATERIAL	Q'TY	FINISHING	

THESE DRAWINGS AND SPECIFICATIONS ARE THE PROPERTY OF ACCURATE INNOTECH INC AND SHALL NOT BE REPRODUCED, COPIED OR USED IN ANY MANNER WITHOUT THE PRIOR WRITTEN CONSENT OF ACCURATE INNOTECH INC.

UNITS	mm	雅安科技有限公司 ACCURATE INNOTECH INC.			
MAT'L	SEE NOTE				
FINISH	SEE NOTE	TITLE:	PART NO.:		
Q'TY		TACT SWITCH	AT-1104RTT SERIES		
		DR: Ricky 2017/08/02	DWG NO.:		
		CHKD: Ricky 2017/08/02	AZJ-1104RTT		
		APPD:	SCALE	SHEET	REV.
			4:1	1/1	A
			CUSTOMER DRAWING		