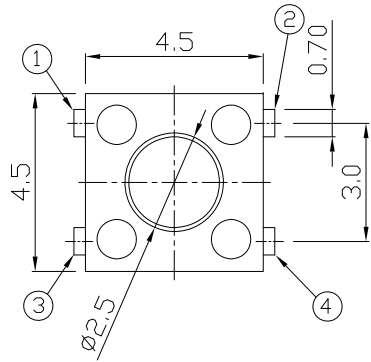




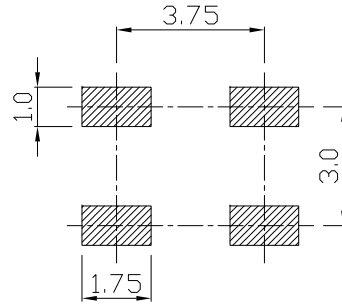
RoHS
Compliant
2002/95/EC

REV.	ECN.	NO.	APPD.

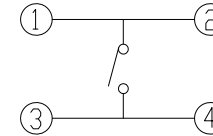
DIMENSIONS



P.C.B MOUNTING PATTERN DIMENSION



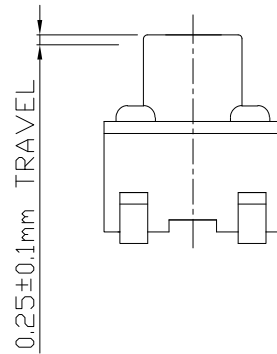
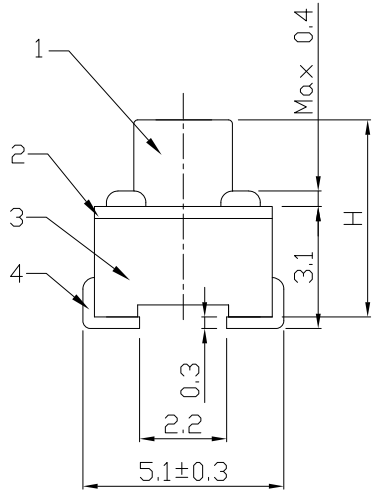
CIRCUIT DIAGRAM



MODEL CODE

AT-1109U-

	H
-	3.8
C	5.0



ELECTRO-MECHANICAL CHARACTERISTICS

Refer to additional specifications

Rating	DC 12V 50mA	
Contact Resistance	100mΩ Max.	
Travel	0.25±0.1mm	
Operating Force	160±50gf	250±100gf
Operating Life(cycles)	100,000	

5	CONTACT	PBS/SUS	1	Ag CLAD	WITHIN 1.5mm ±0.1	UNITS mm	雅安科技有限公司 ACCURATE INNOTECH INC. TITLE: TACT SWITCH PART NO.: AT-1109U SERIES DR: <i>Ricky</i> 2017/09/19 DWG NO.: AZJ-1109U CHKD: <i>Ricky</i> 2017/09/19 APPD:	SCALE SHEET REV. CUSTOMER			
4	TERMINAL	BRASS STRIP	4	Ag PLATED	OVER 1.5mm ±0.2			MAT'L	5:1	1/1	A
3	CASE	NYLON	1	BLACK		SEE NOTE					
2	COVER	MILD STEEL	1	NI PLATED		FINISH					
1	KNOB	NYLON	1	WHITE/BLACK		SEE NOTE					
NO.	PART NAME	MATERIAL	QTY.	FINISHING	THESE DRAWINGS AND SPECIFICATIONS ARE THE PROPERTY OF ACCURATE INNOTECH INC AND SHALL NOT BE REPRODUCED, COPIED OR USED IN ANY MANNER WITHOUT THE PRIOR WRITTEN CONSENT OF ACCURATE INNOTECH INC.		Q'TY				