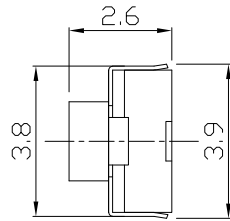
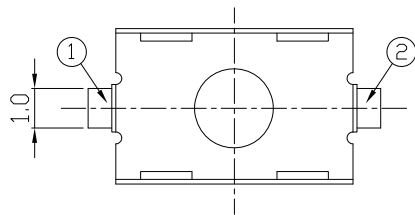
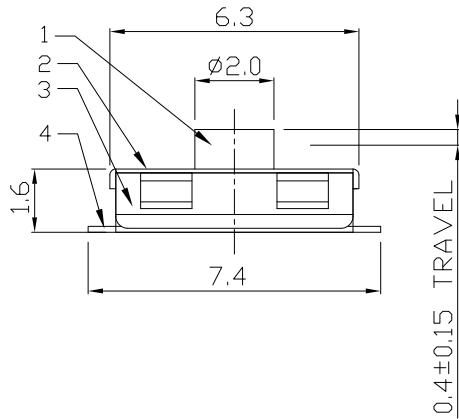




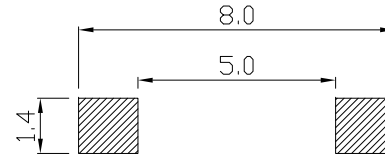
RoHS  
Compliant  
2002/95/EC

REV.	ECN.	NO.	APPD.

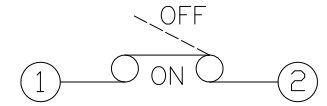
DIMENSIONS



P.C.B MOUNTING PATTERN DIMENSION



CIRCUIT DIAGRAM



ELECTRO-MECHANICAL CHARACTERISTICS  
Refer to additional specifications

Rating	DC 12V 50mA	
Contact Resistance	100mΩ Max.	
Travel	0.4±0.15mm	
Operating Force	180±50gf	250±100gf
Operating Life(cycles)	50,000	

5	CONTACT	SUS	1	NATURAL	WITHIN 1.5mm ±0.1	UNITS mm	雅安科技有限公司 ACCURATE INNOTECH INC.				
4	TERMINAL	BRASS STRIP	2	Ag PLATED	OVER 1.5mm ±0.2						MAT'L
3	CASE	NYLON+F.G	1	BLACK		SEE NOTE	TITLE:	PART NO.:			
2	COVER	SUS	1	WASHING		FINISH	TACT SWITCH	AT-1111 SERIES			
1	KNOB	RUBBER	1	BLACK		SEE NOTE	DR:	2017/09/22			
						Q'TY	CHKD:	2017/09/22			
NO.	PART NAME	MATERIAL	QTY.	FINISHING			APPD:	SCALE	SHEET	REV.	CUSTOMER
								4:1	1/1	A	DRAWING

THESE DRAWINGS AND SPECIFICATIONS ARE THE PROPERTY OF ACCURATE INNOTECH INC AND SHALL NOT BE REPRODUCED, COPIED OR USED IN ANY MANNER WITHOUT THE PRIOR WRITTEN CONSENT OF ACCURATE INNOTECH INC.

