



RoHS
Compliant
2002/95/EC

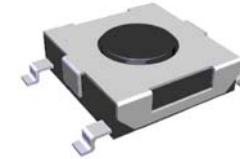
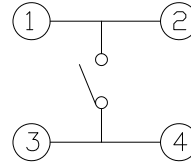
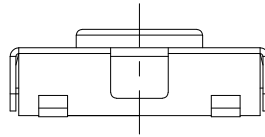
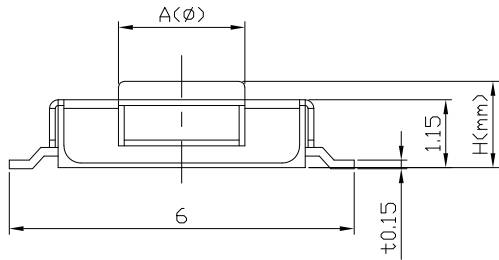
REV.	ECN.	NO.	APPD.

DIMENSIONS

CIRCUIT DIAGRAM

PRODUCT IMAGE

MODEL CODE



AT-1127N-

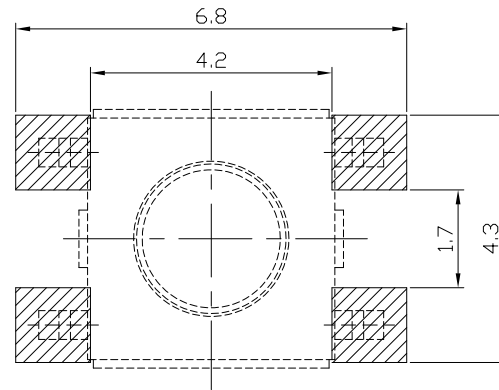
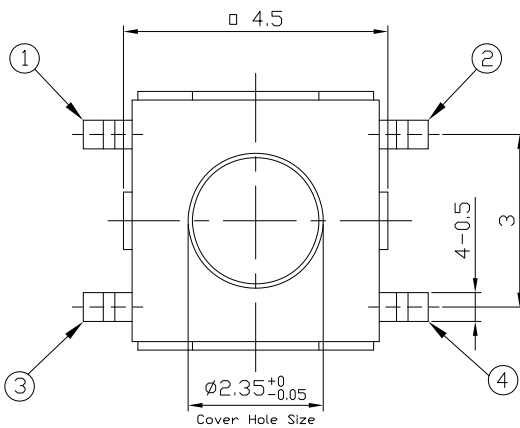
	H(mm)	A(φ)
-	1.5	2.2

P.C.B MOUNTING PATTERN DIMENSION

The following soldering patterns are recommended for reflow soldering

ELECTRO-MECHANICAL CHARACTERISTICS

Refer to additional specifications



Rating	DC 12V 50mA
Contact Resistance	100mΩ Max.
Travel	0.2 ± 0.1mm
Operating Force	100±30gf 160±30gf 250±50gf
Operating Life(cycles)	100,000

.X ±0.2	X. ±2'
UNITS	mm
MAT'L	SEE NOTE
FINISH	SEE NOTE
Q'TY	SEE NOTE

雅安科技有限公司 ACCURATE INNOTECH INC.			
TITLE: TACT SWITCH		PART NO.: AT-1127N SERIES	
DR: Ricky 2014/03/28		DWG NO.: ASI-1127N	
CHKD: Ricky 2014/03/28		SCALE	SHEET
APPD:		1:1	1/1
		REV.	CUSTOMER
		A	DRAWING

THESE DRAWINGS AND SPECIFICATIONS ARE THE PROPERTY OF ACCURATE INNOTECH INC AND SHALL NOT BE REPRODUCED, COPIED OR USED IN ANY MANNER WITHOUT THE PRIOR WRITTEN CONSENT OF ACCURATE INNOTECH INC.

