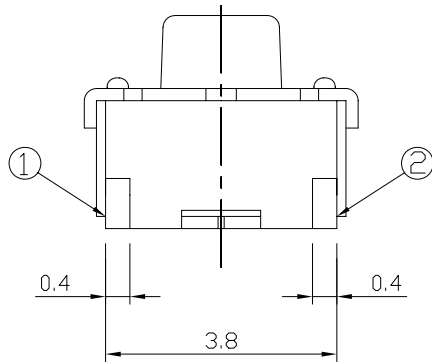
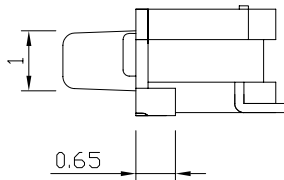
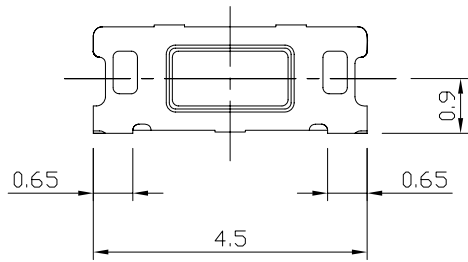
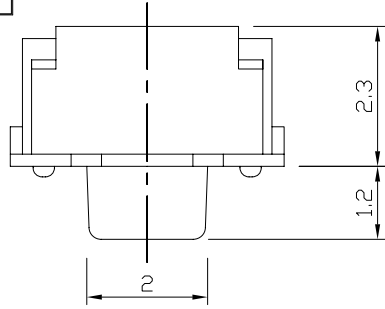




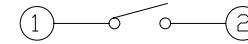
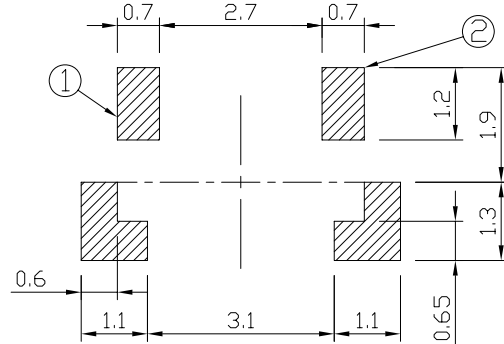
RoHS  
Compliant  
2002/95/EC

REV.	ECN.	NO.	APPD.

### DIMENSIONS



### P.C.B MOUNTING PATTERN DIMENSION



### CIRCUIT DIAGRAM

### ELECTRO-MECHANICAL CHARACTERISTICS

Refer to additional specifications

RATING	DC12V 50mA
CONTACT RESISTANCE	100mΩ MAX.
TRAVEL	0.2±0.1mm
OPERATING FORCE	160±50gf
OPERATING LIFE(cycles)	100,000

8					.X ±0.3	X. ±3°	UNITS	mm	雅安科技有限公司 ACCURATE INNOTECH INC.			
7							MAT'L					
6							SEE NOTE	TITLE:	PART NO:			
5								TACT SWITCH	AT-1141N SERIES			
4							FINISH	DR:	Ricky 2015/05/08		DWG NO:	
3							SEE NOTE	CHKD:	Ricky 2015/05/08		AKS-1141N	
2							Q'TY	APPD:	SCALE	SHEET	REV.	CUSTOMER
1									9:1	1/1	A	DRAWING
NO.	PARTS	MATERIAL	Q'TY	FINISHING								

THESE DRAWINGS AND SPECIFICATIONS ARE THE PROPERTY OF ACCURATE INNOTECH INC AND SHALL NOT BE REPRODUCED, COPIED OR USED IN ANY MANNER WITHOUT THE PRIOR WRITTEN CONSENT OF ACCURATE INNOTECH INC.