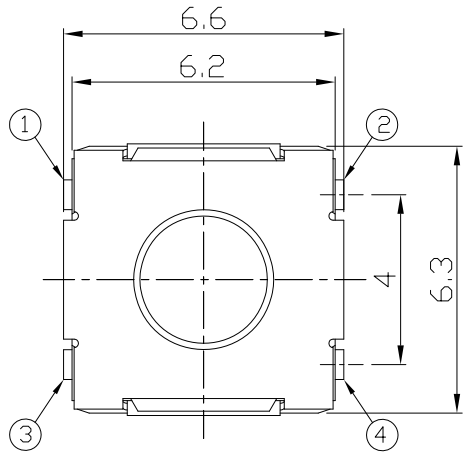
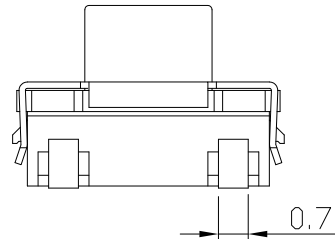
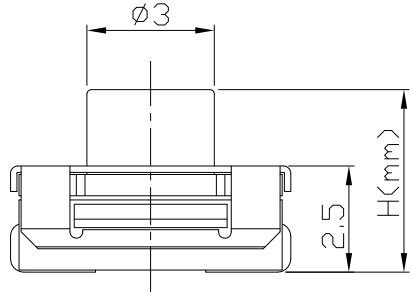




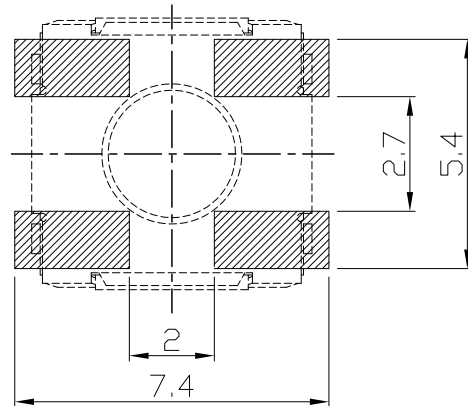
RoHS Compliant
2002/95/EC

REV.	ECN. NO.	APPD.

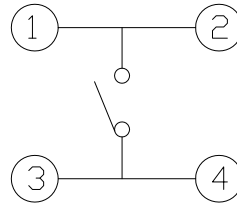
DIMENSIONS



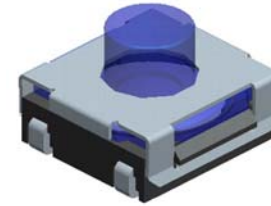
P.C.B MOUNTING PATTERN DIMENSION
The following soldering patterns are recommended for reflow soldering



CIRCUIT DIAGRAM



PRODUCT IMAGE



MODEL CODE

AT-1158 - BL

	H	Knob Color	
-	3.1	BL	BLUE
A	3.4	WH	WHITE
B	4.3		
C	5.1		

ELECTRO-MECHANICAL CHARACTERISTICS

Refer to additional specifications

Rating	DC 12V 50mA	
Contact Resistance	100mΩ Max.	
Travel	0.3 ± 0.2mm	
Operating Force	160±50gf	260±50gf
Operating Life(cycles)	100,000	

.X ±0.3	X. ±2'
THESE DRAWINGS AND SPECIFICATIONS ARE THE PROPERTY OF ACCURATE INNOTECH INC AND SHALL NOT BE REPRODUCED, COPIED OR USED IN ANY MANNER WITHOUT THE PRIOR WRITTEN CONSENT OF ACCURATE INNOTECH INC.	

UNITS	mm
MAT'L	SEE NOTE
FINISH	SEE NOTE
Q'TY	

雅安科技有限公司 ACCURATE INNOTECH INC.			
TITLE: TACT SWITCH		PART NO.: AT-1158 SERIES	
DR: Ricky 2017/04/06		DWG NO.: ASI-1158	
CHKD: Ricky 2017/04/06		SCALE: 1:1	SHEET: 1/1
APPD:		REV.: A	CUSTOMER DRAWING