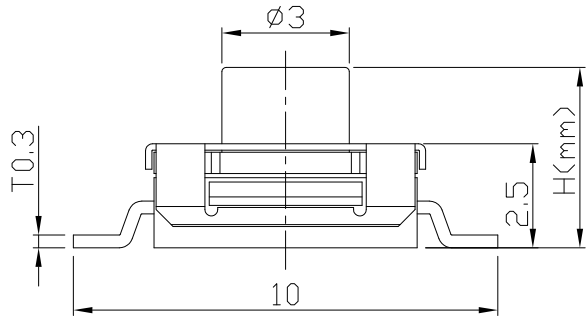




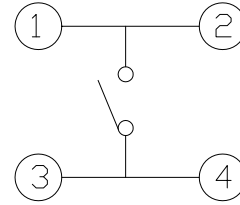
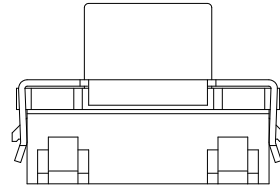
RoHS
Compliant
2002/95/EC

REV.	ECN. NO.	APPD.

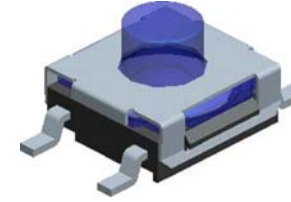
DIMENSIONS



CIRCUIT DIAGRAM



PRODUCT IMAGE



MODEL CODE

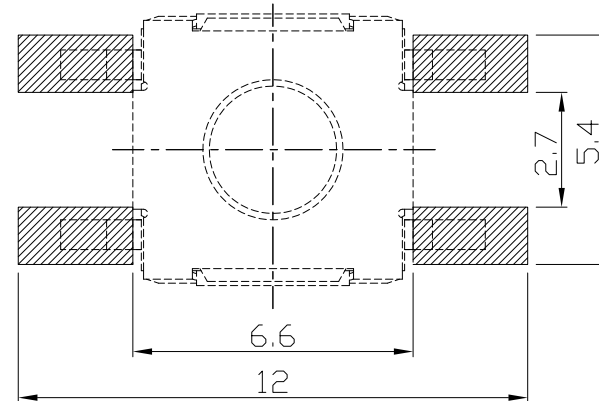
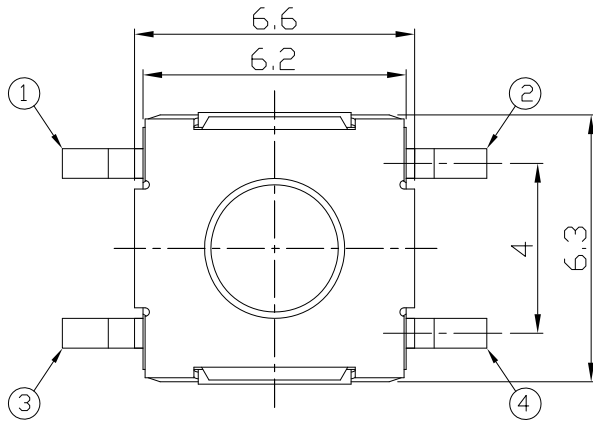
AT-1158S - BL

	H
-	3.1
A	3.4
B	4.3
C	5.1

Knob Color	
BL	BLUE
WH	WHITE

P.C.B MOUNTING PATTERN DIMENSION

The following soldering patterns are recommended for reflow soldering



ELECTRO-MECHANICAL CHARACTERISTICS

Refer to additional specifications

Rating	DC 12V 50mA	
Contact Resistance	100mΩ Max.	
Travel	0.3 ± 0.2mm	
Operating Force	160±50gf	260±50gf
Operating Life(cycles)	100,000	

.X ±0.3

X. ±2*

UNITS

mm

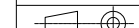
MAT'L

SEE NOTE

FINISH

SEE NOTE

Q'TY



THESE DRAWINGS AND SPECIFICATIONS ARE THE PROPERTY OF ACCURATE INNOTECH INC AND SHALL NOT BE REPRODUCED, COPIED OR USED IN ANY MANNER WITHOUT THE PRIOR WRITTEN CONSENT OF ACCURATE INNOTECH INC.

雅安科技有限公司
ACCURATE INNOTECH INC.

TITLE:

TACT SWITCH

PART NO.:

AT-1158S SERIES

DR:

Ricky 2017/04/06

DWG NO.:

ASI-1158S

CHKD:

Ricky 2017/04/06

APPD:

SCALE

1:1

SHEET

1/1

REV.

A

CUSTOMER

DRAWING