



RoHS  
Compliant  
2002/95/EC

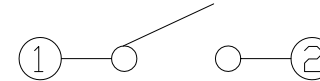
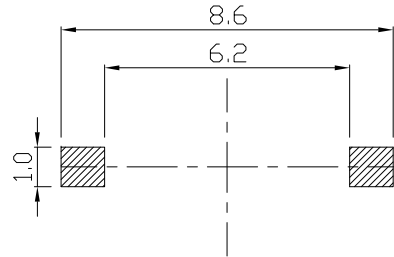
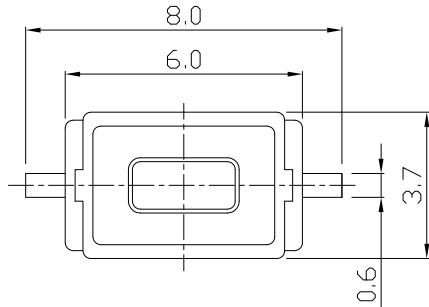
REV.	ECN.	NO.	APPD.

DIMENSIONS

P.C.B MOUNTING PATTERN DIMENSION

CIRCUIT DIAGRAM

MODEL CODE

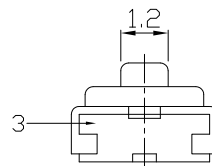
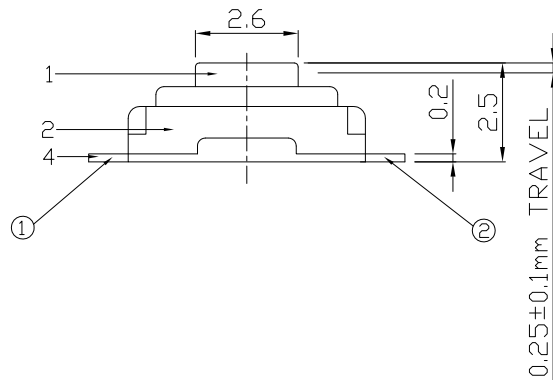


AT-1181F 

L	B
---	---

Knob Color		Case Color	
L	BLUE	B	BLACK
B	BLACK		

ELECTRO-MECHANICAL CHARACTERISTICS  
Refer to additional specifications



Rating	DC 12V 50mA
Contact Resistance	100mΩ Max.
Travel	0.25±0.1mm
Operating Force	180±50gf   250±100gf
Operating Life(cycles)	30,000

6	SEAL PLATE	PET	1	YELLOW
5	CONTACT	SUS	1	Ag CLAD
4	TERMINAL	BRASS STRIP	2	Ag COATING
3	CASE	PA6T	1	WHITE/BLACK
2	COVER	MILD STEEL	1	Ni PLATED
1	KNOB	PPA	1	RED/BLACK
NO.	PART NAME	MATERIAL	QTY.	FINISHING

WITHIN 1.5mm ±0.1	UNITS mm
OVER 1.5mm ±0.2	MAT'L
	SEE NOTE
	FINISH
	SEE NOTE
	Q'TY

雅安科技有限公司 ACCURATE INNOTECH INC.			
TITLE: TACT SWITCH		PART NO.: AT-1181F SERIES	
DR: <i>Ricky</i> 2017/09/21		DWG NO.: AZJ-1181F	
CHKD: <i>Ricky</i> 2017/09/21		SCALE	SHEET
APPD:		8:1	1/1
		REV.	CUSTOMER DRAWING
		A	

THESE DRAWINGS AND SPECIFICATIONS ARE THE PROPERTY OF ACCURATE INNOTECH INC AND SHALL NOT BE REPRODUCED, COPIED OR USED IN ANY MANNER WITHOUT THE PRIOR WRITTEN CONSENT OF ACCURATE INNOTECH INC.

