



RoHS
Compliant
2002/95/EC

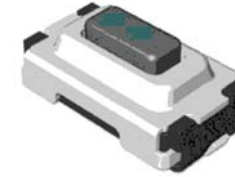
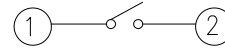
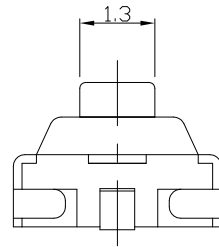
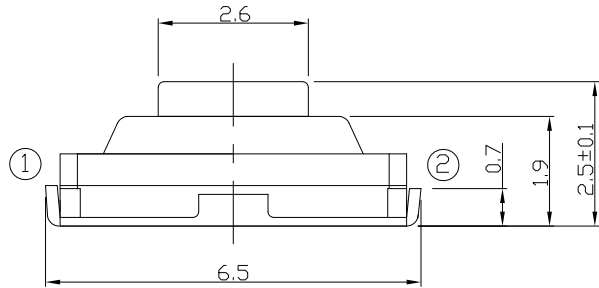
REV.	ECN. NO.	APPD.

DIMENSIONS

CIRCUIT DIAGRAM

PRODUCT IMAGE

MODEL CODE

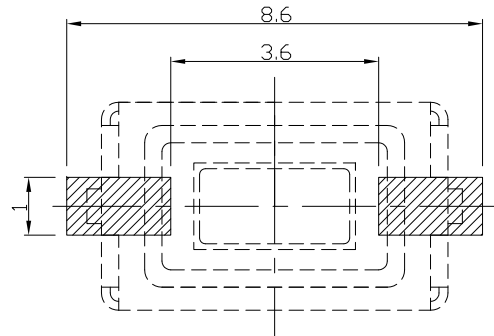
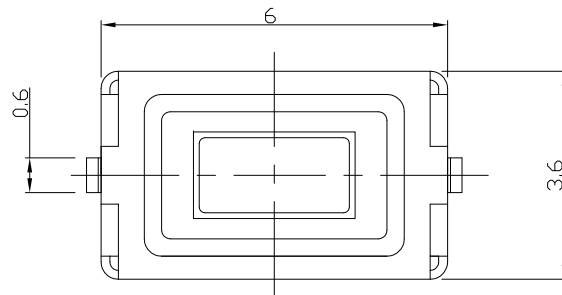


AT-1181U

Knob Color		Case Color	
R	RED	B	BLACK
W	WHITE	W	WHITE

P.C.B MOUNTING PATTERN DIMENSION
The following soldering patterns are recommended for reflow soldering

ELECTRO-MECHANICAL CHARACTERISTICS
Refer to additional specifications



Rating	DC 12V 50mA	
Contact Resistance	100mΩ Max.	
Travel	0.25 ± 0.1mm	
Operating Force	160,180±30gf	250±50gf
Operating Life(cycles)	50,000	30,000

.X ±0.2 X. ±2'
UNITS mm
MAT'L
SEE NOTE
FINISH
SEE NOTE
Q'TY
THESE DRAWINGS AND SPECIFICATIONS ARE THE PROPERTY OF ACCURATE INNOTECH INC AND SHALL NOT BE REPRODUCED, COPIED OR USED IN ANY MANNER WITHOUT THE PRIOR WRITTEN CONSENT OF ACCURATE INNOTECH INC.

雅安科技有限公司
ACCURATE INNOTECH INC.

TITLE: TACT SWITCH PART NO.: AT-1181U SERIES

DR: Ricky 2014/03/27 DWG NO.: ASI-1181U

CHKD: Ricky 2014/03/27

APPD:

SCALE	SHEET	REV.	CUSTOMER
1:1	1/1	A	DRAWING