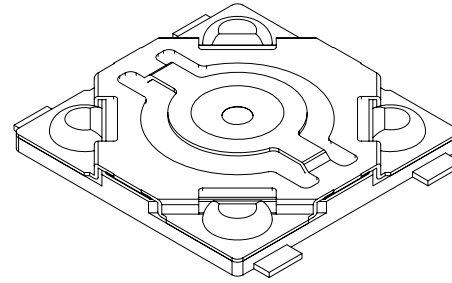
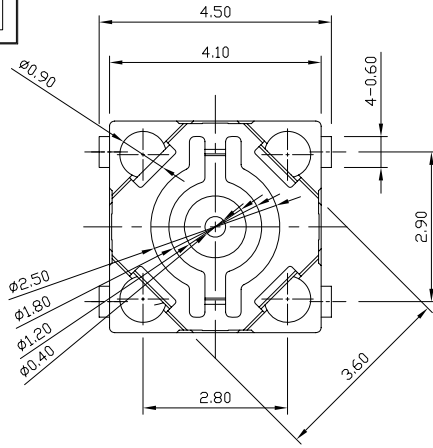




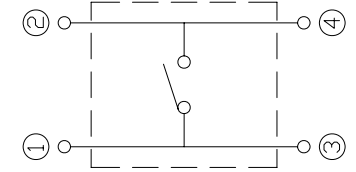
RoHS
Compliant
2002/95/EC

REV.	ECN.	NO.	APPD.

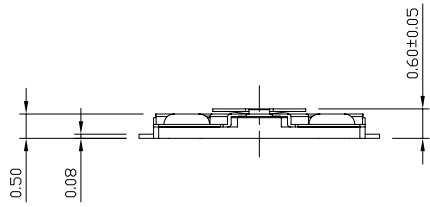
DIMENSIONS



3D VIEW



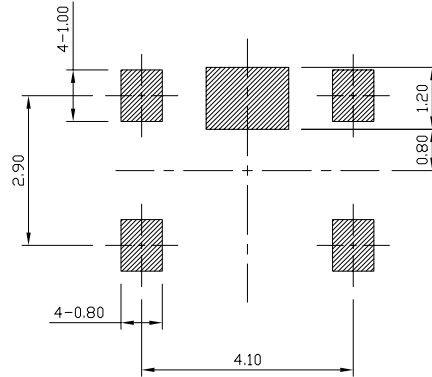
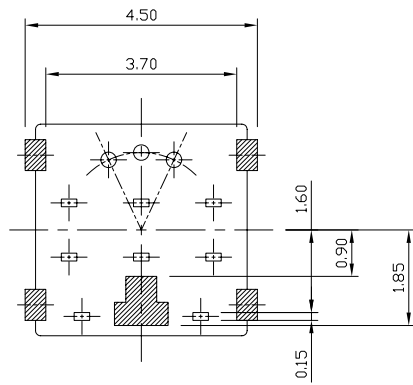
CIRCUIT DIAGRAM



P.C.B MOUNTING PATTERN DIMENSION

ELECTRO-MECHANICAL CHARACTERISTICS

Refer to additional specifications



RATING	DC12V 50mA
CONTACT RESISTANCE	100mΩ MAX.
TRAVEL	0.2±0.1mm
OPERATING FORCE	180±50gf 250±50gf
OPERATING LIFE(cycles)	100,000

8					.X ±0.2	X. ±2'	UNITS	mm	雅安科技有限公司 ACCURATE INNOTECH INC. TITLE: TACT SWITCH PART NO: AT-1182S SERIES DR: <i>Ricky</i> 2015/05/11 DWG NO: AKS-1182S CHKD: <i>Ricky</i> 2015/05/11 APPD:
7					.XX ±0.1		MAT'L		
6							SEE NOTE		
5							FINISH		
4							SEE NOTE		
3							Q'TY		
2					THESE DRAWINGS AND SPECIFICATIONS ARE THE PROPERTY OF ACCURATE INNOTECH INC AND SHALL NOT BE REPRODUCED, COPIED OR USED IN ANY MANNER WITHOUT THE PRIOR WRITTEN CONSENT OF ACCURATE INNOTECH INC.				
1									SCALE SHEET REV. CUSTOMER
NO.	PARTS	MATERIAL	Q'TY	FINISHING					5:1 1/1 A DRAWING