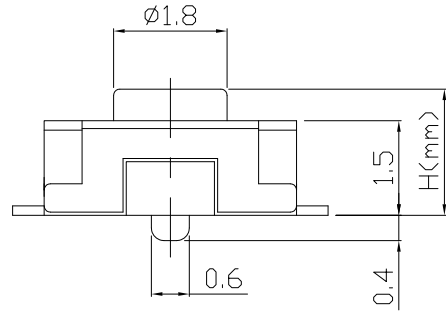




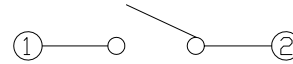
RoHS  
Compliant  
2002/95/EC

REV.	ECN.	NO.	APPD.

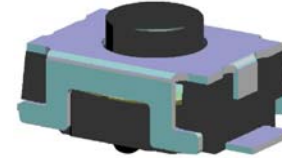
### DIMENSIONS



### CIRCUIT DIAGRAM



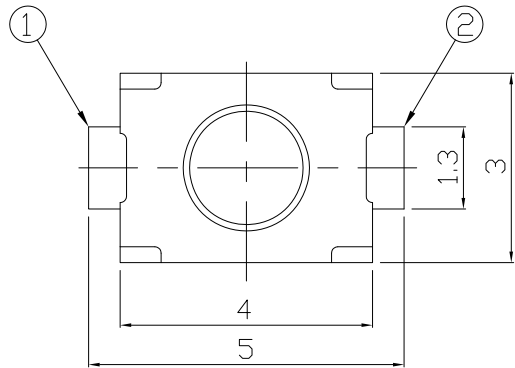
### PRODUCT IMAGE



### MODEL CODE

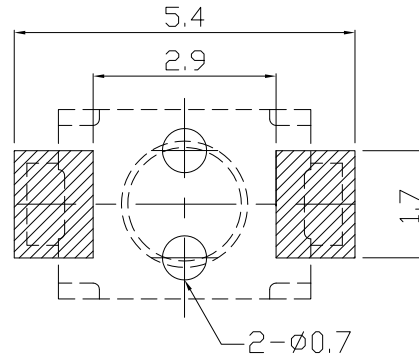
AT-1185AP2-

	H
-	1.8
A	2.0
B	2.5
D	7.0



### P.C.B MOUNTING PATTERN DIMENSION

The following soldering patterns are recommended for reflow soldering



### ELECTRO-MECHANICAL CHARACTERISTICS

Refer to additional specifications

Rating	DC 12V 50mA	
Contact Resistance	100m $\Omega$ Max.	
Travel	0.15 $\pm$ 0.1mm	
Operating Force	160 $\pm$ 30gf	250 $\pm$ 50gf
Operating Life(cycles)	100,000	

.X $\pm 0.3$	X. $\pm 2'$	UNITS mm	雅安科技有限公司 ACCURATE INNOTECH INC.				
		MAT'L SEE NOTE					TITLE: TACT SWITCH
		FINISH SEE NOTE	DR: <i>Ricky</i> 2014/03/28	DWG NO.: ASI-1185AP2			
		Q'TY	CHKD: <i>Ricky</i> 2014/03/28	SCALE 1:1	SHEET 1/1	REV. A	CUSTOMER DRAWING
THESE DRAWINGS AND SPECIFICATIONS ARE THE PROPERTY OF ACCURATE INNOTECH INC AND SHALL NOT BE REPRODUCED, COPIED OR USED IN ANY MANNER WITHOUT THE PRIOR WRITTEN CONSENT OF ACCURATE INNOTECH INC.			APPD:				