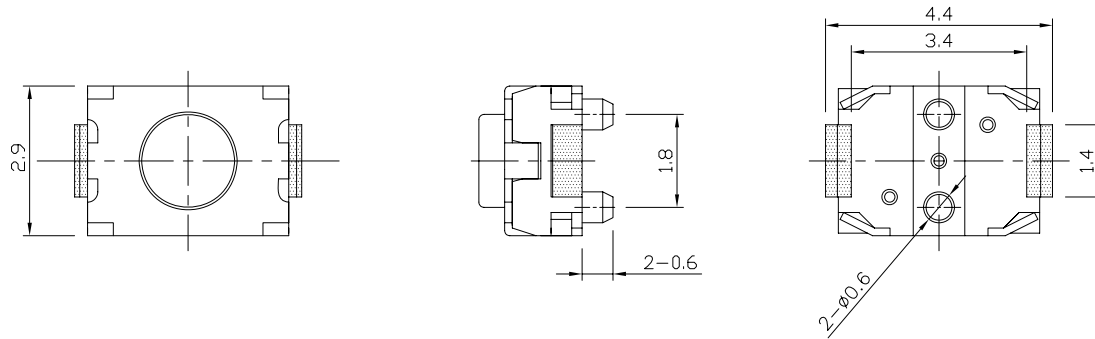




RoHS  
Compliant  
2002/95/EC

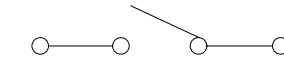
REV.	ECN.	NO.	APPD.

### DIMENSIONS



### MODEL CODE

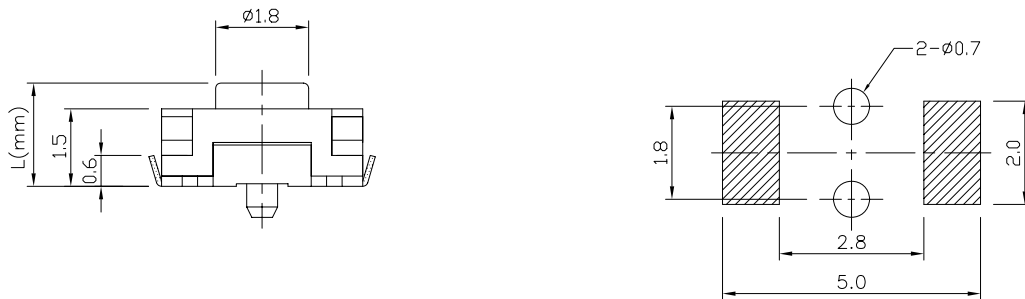
AT-1185UE-□



CIRCUIT DIAGRAM

	L(mm)	COLOR
Z	1.5	BK
A	2.0	BK
B	2.5	BK

### P.C.B MOUNTING PATTERN DIMENSION (ALL TOLERANCE:±0.05)



### ELECTRO-MECHANICAL CHARACTERISTICS

Refer to additional specifications

RATING	DC12V 50mA	
CONTACT RESISTANCE	100mΩ MAX.	
TRAVEL	0.2±0.1mm	
OPERATING FORCE	160±30gf	220±50gf
OPERATING LIFE(cycles)	100,000	

8					.X ±0.2	X. ±2°	UNITS mm	雅安科技有限公司 ACCURATE INNOTECH INC.				
7							MAT'L SEE NOTE					TITLE: TACT SWITCH
6							FINISH SEE NOTE	DR: <i>Ricky</i> 2015/05/07	DWG NO.: AKS-1185UE			
5							Q'TY	CHKD: <i>Ricky</i> 2015/05/07	SCALE	SHEET	REV.	CUSTOMER
4								APPD:	8:1	1/1	A	DRAWING
3												
2												
1												
NO.	PARTS	MATERIAL	Q'TY	FINISHING								

THESE DRAWINGS AND SPECIFICATIONS ARE THE PROPERTY OF ACCURATE INNOTECH INC AND SHALL NOT BE REPRODUCED, COPIED OR USED IN ANY MANNER WITHOUT THE PRIOR WRITTEN CONSENT OF ACCURATE INNOTECH INC.

