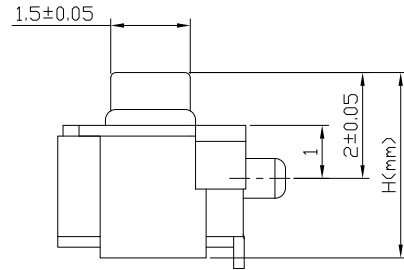
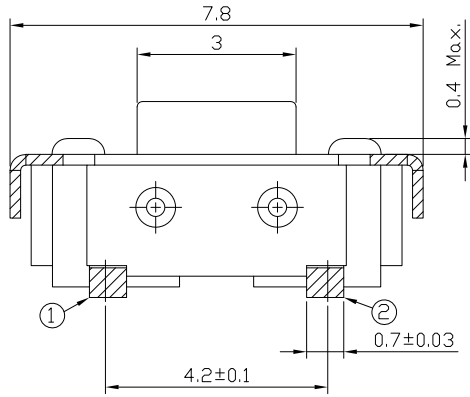




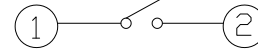
RoHS
Compliant
2002/95/EC

REV.	ECN.	NO.	APPD.

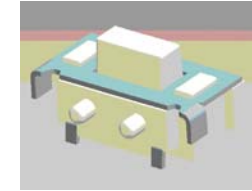
DIMENSIONS



CIRCUIT DIAGRAM



PRODUCT IMAGE

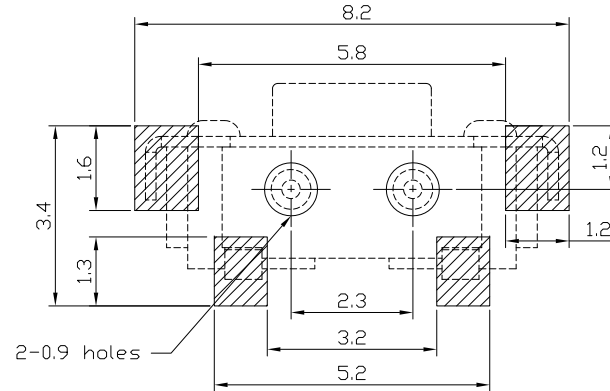
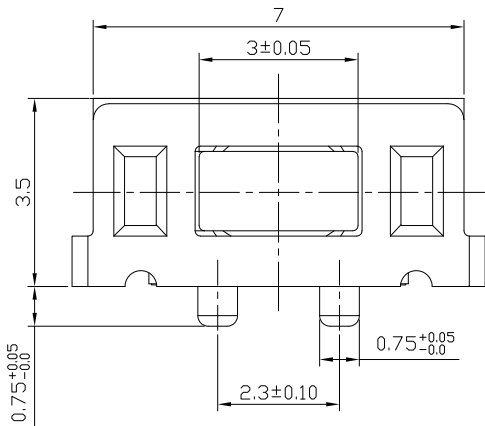


MODEL CODE

AT-1188E-		H
-		3.5
C		4.3

P.C.B MOUNTING PATTERN DIMENSION

The following soldering patterns are recommended for reflow soldering



ELECTRO-MECHANICAL CHARACTERISTICS

Refer to additional specifications

Rating	DC 12V 50mA	
Contact Resistance	100mΩ Max.	
Travel	0.25 ± 0.1mm	
Operating Force	160±30gf	250±50gf
Operating Life(cycles)	50,000	30,000

.X ±0.2

X. ±2'

UNITS mm

MAT'L

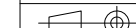
SEE NOTE

FINISH

SEE NOTE

Q'TY

THESE DRAWINGS AND SPECIFICATIONS ARE THE PROPERTY OF ACCURATE INNOTECH INC AND SHALL NOT BE REPRODUCED, COPIED OR USED IN ANY MANNER WITHOUT THE PRIOR WRITTEN CONSENT OF ACCURATE INNOTECH INC.



雅安科技有限公司
ACCURATE INNOTECH INC.

TITLE:

TACT SWITCH

DR:

Ricky 2023/12/28

CHKD:

Ricky 2023/12/28

APPD:

PART NO.:

AT-1188E SERIES

DWG NO.:

ASI-1188E

SCALE

1:1

SHEET

1/1

REV.

A

CUSTOMER

DRAWING