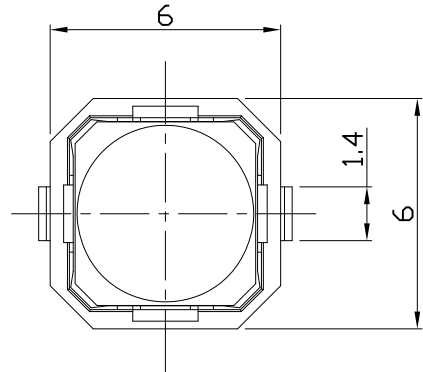
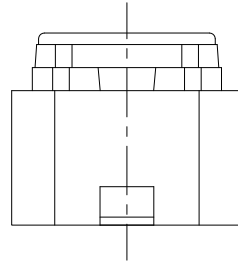
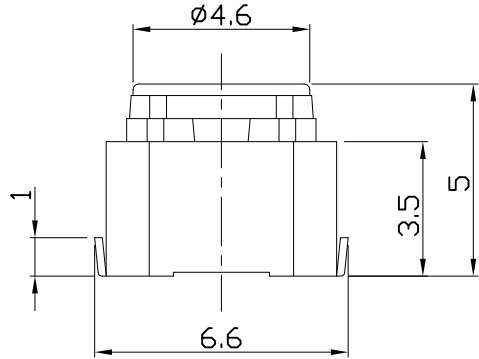




RoHS
Compliant
2002/95/EC

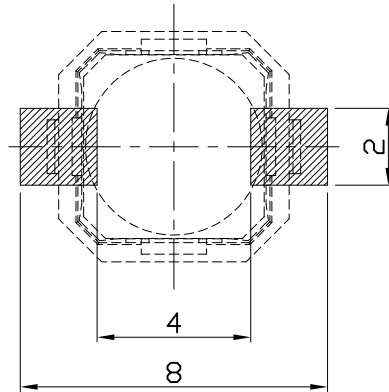
REV.	ECN.	NO.	APPD.

DIMENSIONS

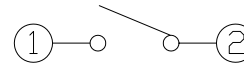


P.C.B MOUNTING PATTERN DIMENSION

The following soldering patterns are recommended for reflow soldering



CIRCUIT DIAGRAM



PRODUCT IMAGE



ELECTRO-MECHANICAL CHARACTERISTICS

Refer to additional specifications

Rating	DC 12V 0.1A
Contact Resistance	100mΩ Max.
Insulation Resistance	100MΩ(DC 500V / 1 min) Min.
Withstanding Voltage	250 VAC / min.
Travel	1.3 ± 0.3mm
Operating Force	250±70gf
Operating Life(cycles)	100,000

.X ±0.3

X. ±2'

UNITS mm

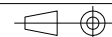
MAT'L

SEE NOTE

FINISH

SEE NOTE

Q'TY



雅安科技有限公司
ACCURATE INNOTECH INC.

TITLE:
TACT SWITCH Soft feeling

PART NO.:
AT-1190 SERIES

DR: *Ricky* 2014/04/01

DWG NO.:
ASI-1190

CHKD: *Ricky* 2014/04/01

APPD:

SCALE	SHEET	REV.	CUSTOMER
1:1	1/1	A	DRAWING

THESE DRAWINGS AND SPECIFICATIONS ARE THE PROPERTY OF ACCURATE INNOTECH INC AND SHALL NOT BE REPRODUCED, COPIED OR USED IN ANY MANNER WITHOUT THE PRIOR WRITTEN CONSENT OF ACCURATE INNOTECH INC.