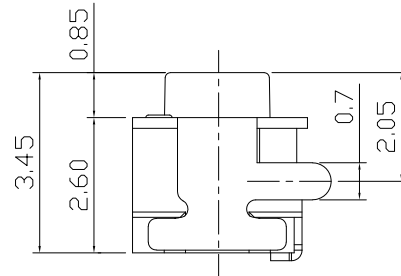
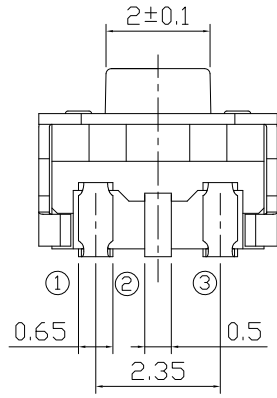




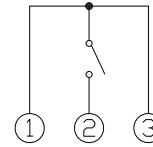
RoHS Compliant
2002/95/EC

REV.	ECN.	NO.	APPD.

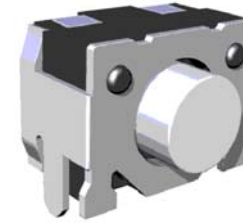
DIMENSIONS



CIRCUIT DIAGRAM



PRODUCT IMAGE



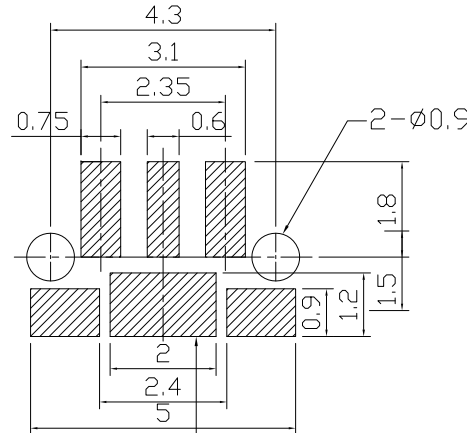
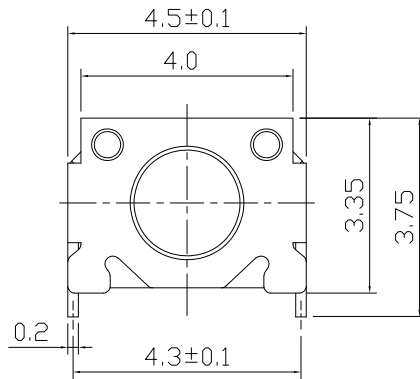
MODEL CODE

AT-1191-W

Stem Color	
W	White
B	Black

P.C.B MOUNTING PATTERN DIMENSION

The following soldering patterns are recommended for reflow soldering



Prohibited area to land pattern

ELECTRO-MECHANICAL CHARACTERISTICS

Refer to additional specifications

Rating	DC 12V 50mA	
Contact Resistance	100mΩ Max.	
Travel	0.2 ± 0.1mm	
Operating Force	160±30gf	250±50gf
Operating Life(cycles)	100,000	Stainless Steel

					.X ±0.3	X. ±2'	UNITS mm	雅安科技有限公司 ACCURATE INNOTECH INC.				
							MAT'L					TITLE: TACT SWITCH
							SEE NOTE	DR: Ricky 2021/03/15	DWG NO.: ASI-1191			
							FINISH	CHKD: Ricky 2021/03/15	SCALE	SHEET	REV.	CUSTOMER
NO	PARTS	MATERIAL	QTY	FINISHING			Q'TY	APPD:	1:1	1/1	A	DRAWING
	1											

THESE DRAWINGS AND SPECIFICATIONS ARE THE PROPERTY OF ACCURATE INNOTECH INC AND SHALL NOT BE REPRODUCED, COPIED OR USED IN ANY MANNER WITHOUT THE PRIOR WRITTEN CONSENT OF ACCURATE INNOTECH INC.

