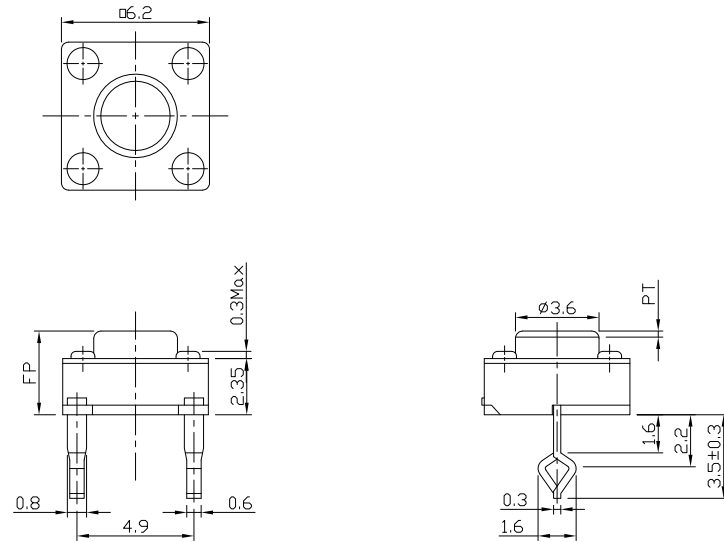




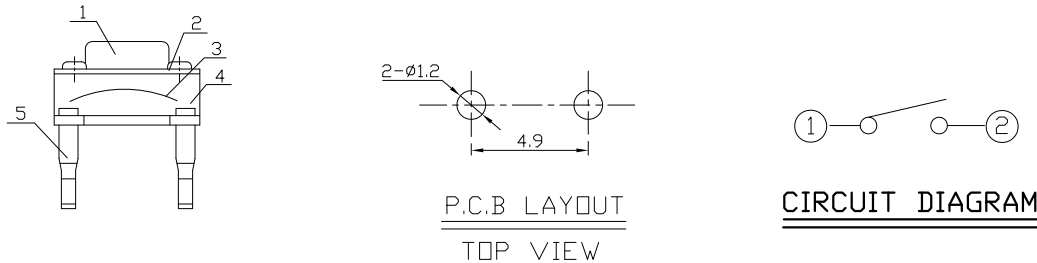
RoHS
Compliant
2002/95/EC

REV.	ECN.	NO.	APPD.

DIMENSIONS



Structure chart



1.Functional spec

1.1 Rated Voltage	DC12V
1.2 Rated Current	50mA
1.3 Contact Resistance	≤100mΩ(Initial value)
1.4 Operating Force	70±20gf
1.5 Bounce Time	
1.6 Free Position	3.5±0.2mm
1.7 Operating Position	
1.8 Position Travel	0.25±0.2mm
1.9 Return Force	

2.Reliable Rating

2.1 Mechanical Life	3,000,000 CYCLES
2.2 Electrical Life	3,000,000 CYCLES
2.3 Insulation Resistance	≥100MΩ DC100V
2.4 Withstand Voltage	AC250V 1 minute
2.5 Soldering Technic	Hand/Reflow soldering
2.6 Operating Temper	-20°C ~ +70°C
2.7 Ambient Humidity Used	<85%RH

Material list

NO.	PARTS	MATERIAL	Q'TY	FINISHING	Tolerance:±0.2	UNITS mm	雅安科技有限公司 ACCURATE INNOTECH INC.			
8							TITLE: TACT SWITCH		PART NO.: AT-2705TJ-70G	
7							DR: Ricky 2017/7/20		DWG NO.: ATD-2705TJ-70G	
6							CHKD: Ricky 2017/7/20		SCALE SHEET REV. CUSTOMER 1:1 1/1 A DRAWING	
5	Terminal	C2680	2				APPD:			
4	Base	Nylon	1							
3	Spring Plate	SUS301	1							
2	Case	SUS301	1							
1	Button	Nylon	1							

THESE DRAWINGS AND SPECIFICATIONS ARE THE PROPERTY OF ACCURATE INNOTECH INC AND SHALL NOT BE REPRODUCED, COPIED OR USED IN ANY MANNER WITHOUT THE PRIOR WRITTEN CONSENT OF ACCURATE INNOTECH INC.

