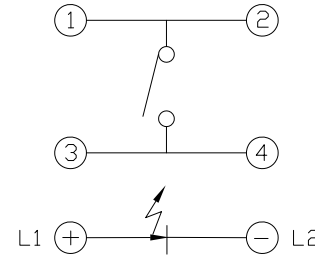
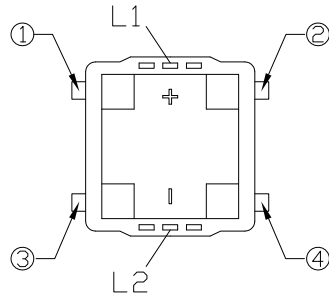
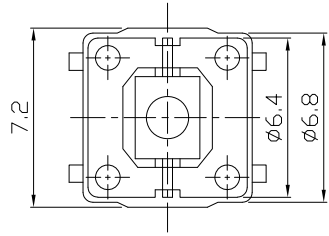




RoHS
Compliant
2002/95/EC

REV.	ECN.	NO.	APPD.

DIMENSIONS

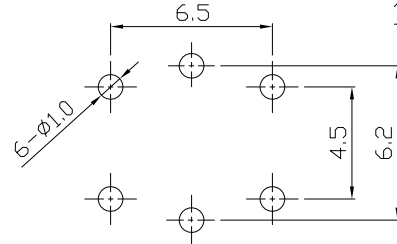
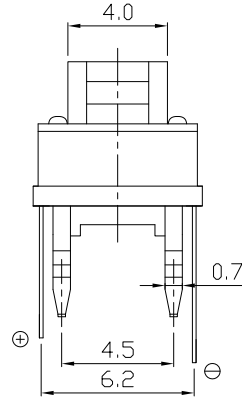
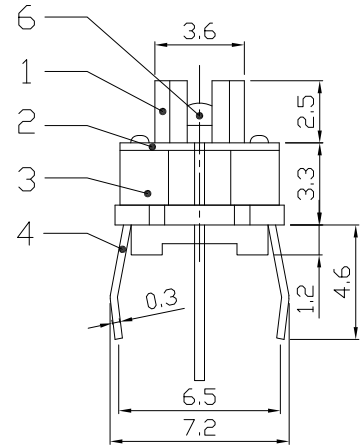


CIRCUIT DIAGRAM

MODEL CODE

ATI-005-DB16-1DN**P-BS
1 2 3 4 5 6 7 8 9 10

- 1.Series Number
- 2.Teminal Type: D=Dip
- 3.Stem Color: W=White B=Black
- 4.Operating Force: 16=160gf 25=250gf
- 5.Circuit
- 6.LED Type: D=Dip
- 7.LED Brightness: N=Normal S=Super Bright H=Super High Bright
- 8.LED Color: 01=Red 02=Yellow 03=Green 04=Blue 05=White 06=Pure Green 08=Amber 09=Blue Green 0A=Pink 0B=Purple
- 9.LED Appearance: P=Flat R=Roung
- 10.Packing Type: BS=Blister Packing



P.C.B LAYOUT
TOP VIEW

ELECTRO-MECHANICAL CHARACTERISTICS
Refer to additional specifications

RATING	DC 12V 50mA
CONTACT RESISTANCE	100mΩ MAX.
TRAVEL	0.25±0.1mm
OPERATING FORCE	160±50gf 250±50gf
OPERATING LIFE(cycles)	100,000

8					WITHIN 1.5mm: ±0.1mm	UNITS	mm	雅安科技有限公司 ACCURATE INNOTECH INC.
7					OVER 1.5mm: ±0.2mm	MAT'L		
6	LED		1			SEE NOTE		TITLE:
5	CONTACT	PBS C5210R-EH	1	Ag CLAD				ILLUMINATED TACT SWITCH
4	TERMINAL	BRASS STRIP	4	Ag PLATED				PART NO.:
3	CASE	NYLON+F.G	1	BLACK				ATI-005-D
2	COVER	PET	1	NATURAL				DR: Ricky 2016/10/05
1	KNOB	NYLON+F.G	1	NATURAL/BLACK				DWG NO.:
NO.	PARTS	MATERIAL	Q'TY	FINISHING				CHKD: Ricky 2016/10/05
								APPD:
								SCALE SHEET REV. CUSTOMER
								4:1 1/1 A DRAWING

THESE DRAWINGS AND SPECIFICATIONS ARE THE PROPERTY OF ACCURATE INNOTECH INC AND SHALL NOT BE REPRODUCED, COPIED OR USED IN ANY MANNER WITHOUT THE PRIOR WRITTEN CONSENT OF ACCURATE INNOTECH INC.

