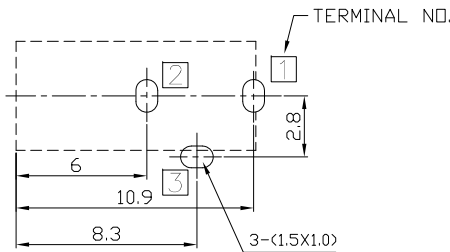
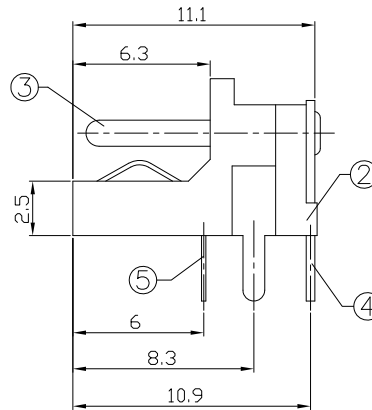
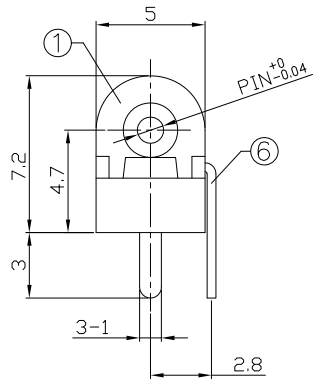




RoHS
Compliant
2002/95/EC

| REV. | ECN. NO. | APPD. |
|------|----------|-------|
| | | |
| | | |

DIMENSIONS



P.C.B Layout (Top view)

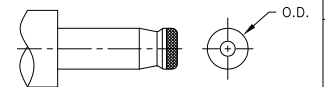
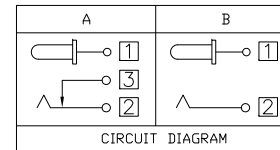
MODEL CODE:

DCB0-00010- A □ PB BK S 0 4

- (1) (2) (3)(4) (5) (6) (7)(8) (9)
 (1):Series type:DIP DC POWER JACK.
 (2):Series No.
 (3):Schematic option: A , B
 (4):Center pin diameter:
 A=∅0.65 , C=∅1.0 , E=∅1.3
 (5):Material of housing:
 PB=PBT (Standard)
 (6):Housing color:
 BK=Black
 (7):Terminal plating
 S=Silver(Ag)
 (8):Special option:
 0=No special option
 (9):Packing mode:
 4=Bag packing

SPECIFICATION

- Rating : DC 30V 1A;
- Contact resistance: ≤50mΩ;
After test:≤100mΩ
- Insulation resistance: ≥100MΩ (DC500V);
After test:≥50MΩ
- Withstand voltage: 500VAC ;
- Insertion and extraction force: 3-30N;
- life test: 5,000 cycles;
- Operation temperature range:-20°C~70°C;
- Preservative temperature range:-40°C~85°C;



DC MATE PLUG

| Model No. | A | C | E |
|--------------|-------|------|------|
| CENTER PIN | ∅0.65 | ∅1.0 | ∅1.3 |
| DC PLUG O.D. | ∅2.35 | ∅3.5 | ∅3.5 |

○: ITEM NO. □: TERMINAL NO.

| NO. | PARTS | MATERIAL | Q'TY | FINISHING | TOLERANCE | ANGLES | UNITS |
|-----|-----------------------|-----------------------|------|---------------------|-----------|--------|----------|
| ⑥ | Shunt terminal ③ | Brass t=0.4 | 1 | Silver Plating | | | mm |
| ⑤ | Tip spring ② | Stainless steel t=0.2 | 1 | Silver Plating | ±0.3 | ±2° | MAT'L |
| ④ | Center pin terminal ① | Brass t=0.4 | 1 | Silver Plating | | | SEE NOTE |
| ③ | Center pin ① | Brass | 1 | Nickel/Cusn Plating | | | FINISH |
| ② | Cover | PBT | 1 | | | | SEE NOTE |
| ① | Housing | PBT | 1 | | | | Q'TY |

THESE DRAWINGS AND SPECIFICATIONS ARE THE PROPERTY OF ACCURATE INNOTECH INC AND SHALL NOT BE REPRODUCED, COPIED OR USED IN ANY MANNER WITHOUT THE PRIOR WRITTEN CONSENT OF ACCURATE INNOTECH INC.

| | | | |
|------------------------------------|-----|-------------------------|--------|
| 雅安科技有限公司 ACCURATE INNOTECH INC. | | | |
| TITLE: DIP DC POWER JACK | | PART NO.: DCB0-00010 | |
| DR: <i>Ricky</i> 2019/03/04 | | DWG NO.: AB0-00010 | |
| CHKD: <i>Ricky</i> 2019/03/04 | | SCALE | SHEET |
| APPD: | 1:1 | 1/1 | REV. A |
| | | CUSTOMER DRAWING | |