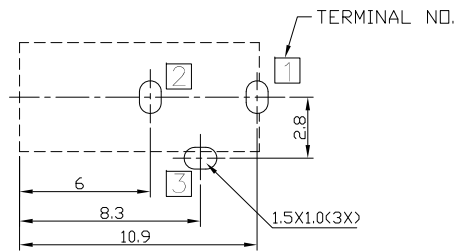
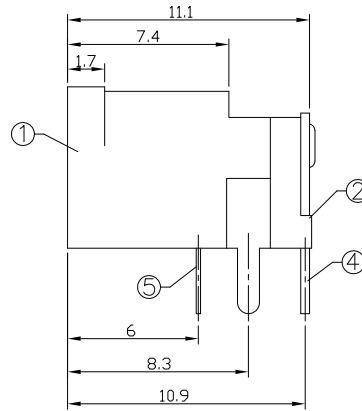
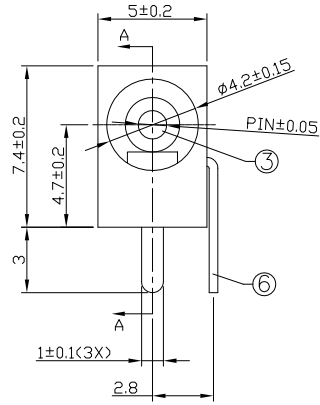




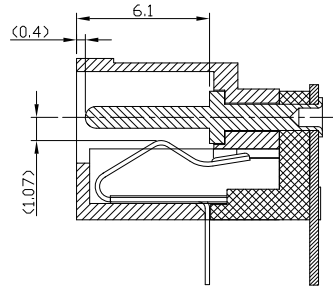
RoHS
Compliant
2002/95/EC

REV.	ECN.	NO.	APPD.

DIMENSIONS



RECOMMENDED P.C.B. LAYOUT
UNSPECIFIED TOLERANCE:±0.05
(TOP VIEW)



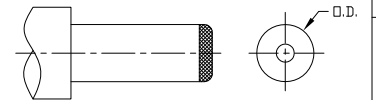
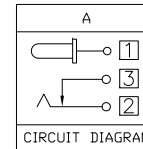
SECTION A-A

MODEL CODE:

- DCB0-00020- A □ PB BK S 0 4
 (1) (2) (3) (4) (5) (6) (7) (8) (9)
 (1):Series type:DIP DC POWER JACK.
 (2):Series No.
 (3):Schematic option: A
 (4):Center pin diameter:
 A=φ0.65 , C=φ1.0 , E=φ1.3
 (5):Material of housing:
 PB=PBT ,9T=PA9T
 (6):Housing color:
 BK=Black (Standard)
 8A=Grey (Pantone 428C)
 9A=White (XH1013 PBT)
 (7):Terminal plating
 S=Silver(Ag)
 (8):Special option:
 0=No special option
 (9):Packing mode:
 4=Bag packing

Specification:

- Rating : DC 30V 1A.
- Contact resistance: ≤50mΩ
After test:≤100mΩ
- Insulation resistance: ≥100MΩ (500VDC).
After test:≥50MΩ
- Withstanding voltage: 500VAC.
- Insertion and extraction force: 3N~30N.
- Life test: 5000 cycles min.
- Operation temperature range:-20°C~70°C
- Preservative temperature range:-40°C~85°C



DC MATE PLUG

Model No.	A	C	E
CENTER PIN	φ0.65	φ1.0	φ1.3
DC PLUG O.D.	φ2.35	φ3.5	φ3.5

○: ITEM NO. □: TERMINAL NO.

NO.	PARTS	MATERIAL	Q'TY	FINISHING	TOLERANCE	ANGLES	UNITS
⑥	Shunt terminal ③	Brass t=0.4	1	Silver Plating	±0.3	±2°	mm
⑤	Tip spring ②	Stainless steel t=0.2	1	Silver Plating			MAT'L
④	Center pin terminal ①	Brass t=0.4	1	Silver Plating			SEE NOTE
③	Center pin ①	Copper alloy	1	CuSn Plating			FINISH
②	Cover	PBT/PA9T	1	Silver Plating			SEE NOTE
①	Housing	PBT/PA9T	1	Black			Q'TY

THESE DRAWINGS AND SPECIFICATIONS ARE THE PROPERTY OF ACCURATE INNOTECH INC AND SHALL NOT BE REPRODUCED, COPIED OR USED IN ANY MANNER WITHOUT THE PRIOR WRITTEN CONSENT OF ACCURATE INNOTECH INC.

雅安科技有限公司 ACCURATE INNOTECH INC.			
TITLE: DIP DC POWER JACK		PART NO.: DCB0-00020	
DR: Ricky 2019/03/04		DWG NO.: AB0-00020	
CHKD: Ricky 2019/03/04		SCALE	SHEET
APPD:	1:1	1/1	REV. A
			CUSTOMER DRAWING