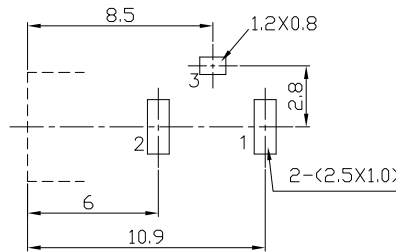
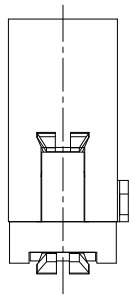
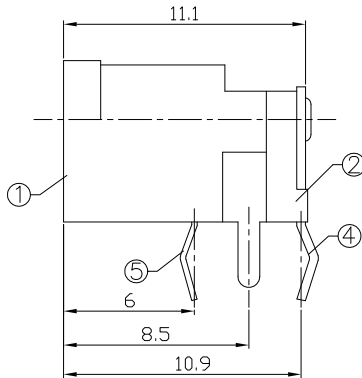
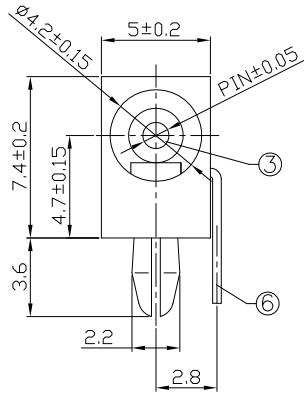




RoHS
Compliant
2002/95/EC

REV.	ECN.	NO.	APPD.

DIMENSIONS



Recommended PCB Layout
(Tolerance±0.05)
(Copper-sided View)

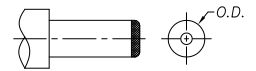
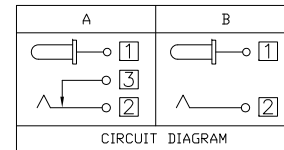
MODEL CODE:

DCB0-0002A- A □ PB BK S Q 4

- (1) (2) (3)(4) (5) (6) (7)(8) (9)
- (1):Series type:DIP DC POWER JACK.
- (2):Series No.
- (3):Schematic option: A , B
- (4):Center pin diameter:
C=φ1.0 , E=φ1.3 , G=φ1.65
- (5):Material of housing:
PB=PBT, 46=PA46, 9T=PA9T
- (6):Housing color:
BK=Black (Standard)
- (7):Terminal plating
S=Silver(Ag)
- (8):Special option:
0=No special option
- (9):Packing mode:
4=Bag packing

SPECIFICATION

- 1.Rating : DC 30V 1A;
- 2.Contact resistance: ≤50mΩ;
After test:≤100mΩ
- 3.Insulation resistance: ≥100MΩ (DC500V);
After test:≥50MΩ
- 4.Withstand voltage: 500VAC ;
- 5.Insertion and extraction force: 3-30N;
- 6.life test: 5,000 cycles;
- 7.Operation temperature range:-20°C~70°C;
- 8.Preservative temperature range:-40°C~85°C;



DC MATE PLUG

Model No.	C	E	G
CENTER PIN	φ1.0	φ1.3	φ1.65
DC PLUG O.D.	φ3.5	φ3.5	φ4.00

○: ITEM NO. □: TERMINAL NO.

⑥	Shunt terminal ③	Brass t=0.4	1	Silver Plating	TOLERANCE	ANGLES	UNITS mm
⑤	Tip spring ②	SUS301 t=0.2	1	Silver Plating	±0.3	±2°	MAT'L
④	Center pin terminal ①	Brass t=0.4	1	Silver Plating			SEE NOTE
③	Center pin ①	Brass	1	Nickel plating			FINISH
②	Cover	PBT/PA46/PA9T UL94V-0	1				SEE NOTE
①	Housing	PBT/PA46/PA9T UL94V-0	1				Q'TY
NO.	PARTS	MATERIAL	Q'TY	FINISHING	THESE DRAWINGS AND SPECIFICATIONS ARE THE PROPERTY OF ACCURATE INNOTECH INC AND SHALL NOT BE REPRODUCED, COPIED OR USED IN ANY MANNER WITHOUT THE PRIOR WRITTEN CONSENT OF ACCURATE INNOTECH INC.		

雅安科技有限公司 ACCURATE INNOTECH INC.			
TITLE: DIP DC POWER JACK		PART NO.: DCB0-0002A	
DR: Ricky 2019/03/04		DWG NO.: AB0-0002A	
CHKD: Ricky 2019/03/04		SCALE	SHEET
APPD:	1:1	1/1	REV. A
		CUSTOMER DRAWING	