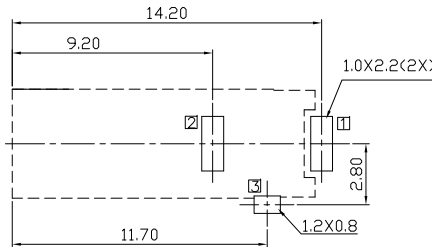
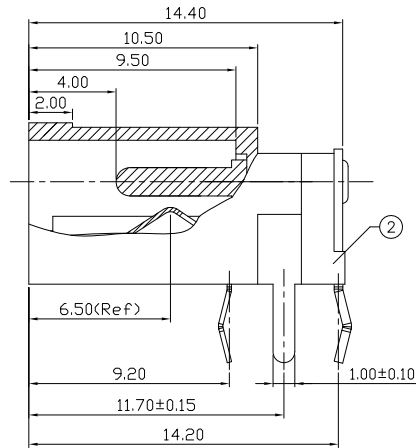
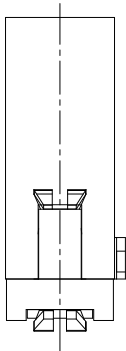
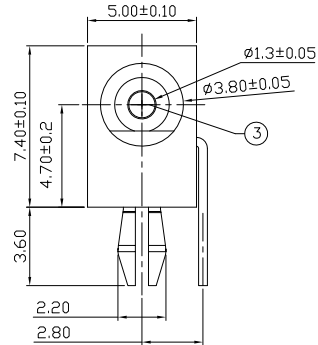




RoHS  
Compliant  
2002/95/EC

REV.	ECN. NO.	NO.	APPD.

### DIMENSIONS

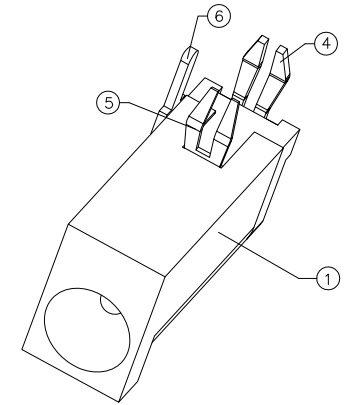


RECOMMENDED P.C.B. LAYOUT  
UNSPECIFIED TOLERANCE:±0.05  
(TOP VIEW)

### MODEL CODE:

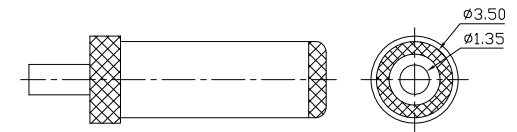
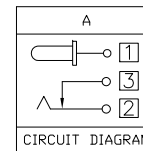
DCB0-0002H- A E PB BK S 0 4

- (1):Series type:DIP DC POWER JACK.
- (2):Series No.
- (3):Schematic option: A
- (4):Center pin diameter:  
E=Ø1.30
- (5):Material of housing:  
PB=PBT (Standard)
- (6):Housing color:  
BK=Black
- (7):Terminal plating  
S=Silver(Ag)
- (8):Special option:  
0=No special option
- (9):Packing mode:  
4=Bag packing



### Specification:

- 1.Rating : DC 20V 2A.
- 2.Contact resistance: ≤50mΩ  
After test:≤100mΩ
- 3.Insulation resistance: ≥100MΩ (500VDC).  
After test:≥50MΩ
- 4.Withstanding voltage: 500VAC.
- 5.Insertion and extraction force: 3N~30N.
- 6.life test: 5000cycles min.
- 7.Operate temperature range:-20°C~70°C
- 8.Preservative temperature range:-40°C~85°C



DC MATE PLUG

○: ITEM NO. □: TERMINAL NO.

⑥	Shunt terminal ③	Copper Alloy	1	Silver Plating	TOLERANCE	ANGLES	UNITS mm
⑤	Tip spring ②	Stainless steel	1	Silver Plating	±0.3	±2°	MAT'L
④	Center pin terminal ①	Copper Alloy	1	Silver Plating			SEE NOTE
③	Center pin	Copper Alloy	1	Nickel plating			FINISH
②	Cover	Thermoplastic	1	Black			SEE NOTE
①	Housing	Thermoplastic	1	Black			Q'TY
NO.	PARTS	MATERIAL	Q'TY	FINISHING	THESE DRAWINGS AND SPECIFICATIONS ARE THE PROPERTY OF ACCURATE INNOTECH INC AND SHALL NOT BE REPRODUCED, COPIED OR USED IN ANY MANNER WITHOUT THE PRIOR WRITTEN CONSENT OF ACCURATE INNOTECH INC.		

雅安科技有限公司 ACCURATE INNOTECH INC.			
TITLE: DIP DC POWER JACK		PART NO.: DCB0-0002H	
DR: <i>Ricky</i> 2019/03/04		DWG NO.: AB0-0002H	
CHKD: <i>Ricky</i> 2019/03/04		SCALE	SHEET
APPD:	1:1	1/1	REV. A
			CUSTOMER DRAWING