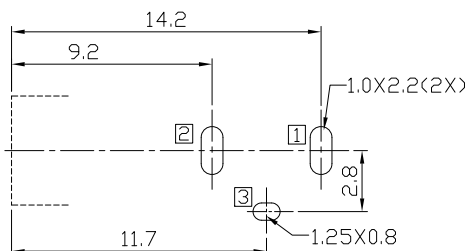
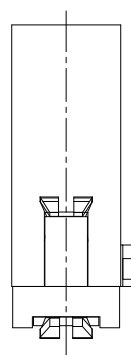
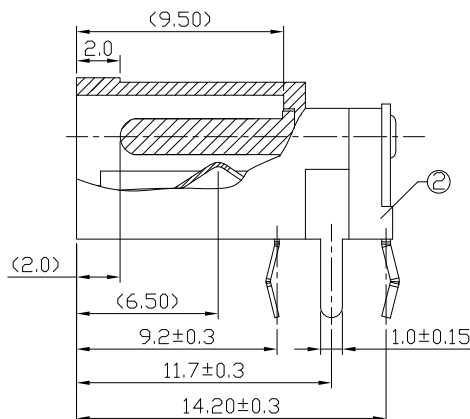
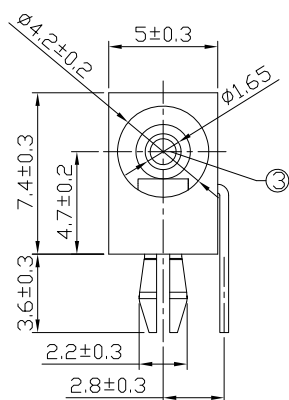




**RoHS Compliant**  
2002/95/EC

REV.	ECN.	NO.	APPD.

**DIMENSIONS**



RECOMMENDED P.C.B.LAYOUT  
UNSPECIFIED TOLERANCE:±0.05  
(TOP VIEW)

**MODEL CODE:**

DCB0-0002K- A G 66 BK S 0 4

(1) (2) (3)(4)(5) (6)(7)(8) (9)

(1):Series type:DIP DC POWER JACK.

(2):Series No.

(3):Schematic option: A

(4):Center pin diameter:

G=φ1.65

(5):Material of housing:

66=PA66 (Standard)

(6):Housing color:

BK=Black

(7):Terminal plating:

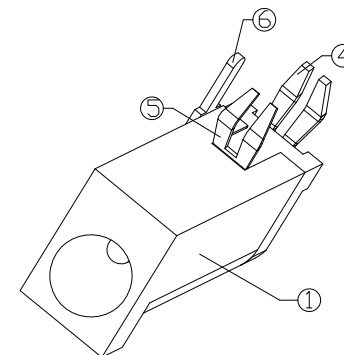
S=Silver(Ag)

(8):Special option:

0=No special option

(9):Packing mode:

4=Bag packing



**SPECIFICATION**

1.Rating: DC 20V 3A.

2.Contact resistance: ≤50mΩ

After test: ≤100mΩ

3.Insulation resistance: ≥100MΩ (DC500V).

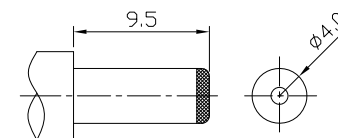
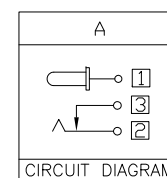
4.Withstanding voltage: 500VAC.

5.Insertion and extraction force: 3-30N.

6.life test: 5,000 cycles.

7.Operation temperature range: -20℃~70℃.

8.Preservative temperature range: -40℃~85℃.



DC MATE PLUG

○: ITEM NO. □: TERMINAL NO.

⑥	Shunt terminal ③	Copper Alloy	1	Silver plating	TOLERANCE	ANGLES	UNITS mm
⑤	Tip spring ②	Stainless steel	1	Silver plating	.X ±0.50	X.* ±5°	MAT'L
④	Center pin terminal ①	Copper Alloy	1	Silver plating	.XX ±0.30	.X.* ±3°	SEE NOTE
③	Center pin	Copper Alloy	1	Nickel plating	.XXX ±0.15	.XX.* ±2°	FINISH
②	Cover	Thermoplastic	1	Black	SEE NOTE		
①	Housing	Thermoplastic	1	Black	SEE NOTE		
NO.	PARTS	MATERIAL	Q'TY	FINISHING	<small>THESE DRAWINGS AND SPECIFICATIONS ARE THE PROPERTY OF ACCURATE INNOTECH INC AND SHALL NOT BE REPRODUCED, COPIED OR USED IN ANY MANNER WITHOUT THE PRIOR WRITTEN CONSENT OF ACCURATE INNOTECH INC.</small>		

雅安科技有限公司 ACCURATE INNOTECH INC.			
TITLE: DIP DC POWER JACK		PART NO.: DCB0-0002K	
DR: <i>Ricky</i> 2023/10/24		DWG NO.: AB0-0002K	
CHKD: <i>Ricky</i> 2023/10/24		SCALE	SHEET
APPD:	1:1	1/1	REV. A
		CUSTOMER DRAWING	