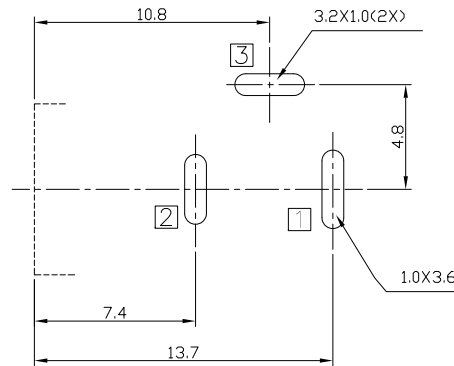
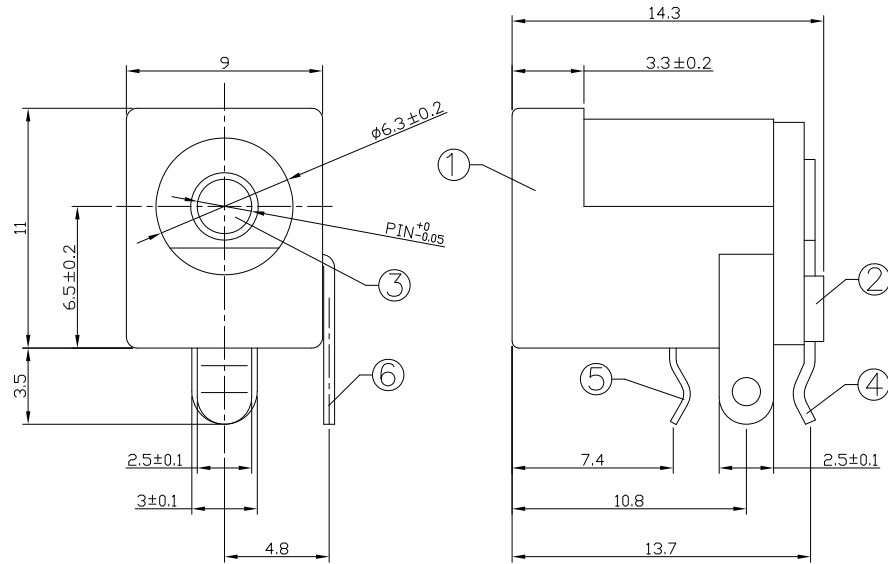




RoHS
Compliant
2002/95/EC

REV.	ECN. NO.	APPD.

DIMENSIONS



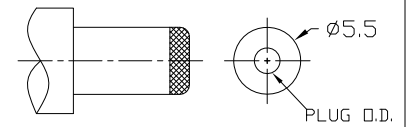
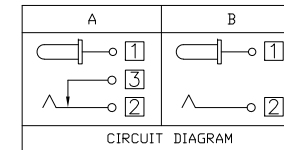
RECOMMENDED PCB LAYOUT
TOLERANCE:±0.05mm
(BOTTOM VIEW)

MODEL CODE:

- DCB0-0005D- A □ PB BK I 0 4
 (1) (2) (3)(4) (5) (6) (7)(8) (9)
 (1):Series type:DIP DC POWER JACK.
 (2):Series No.
 (3):Schematic option: A , B
 (4):Center pin diameter:
 H=∅2.0 , I=∅2.35 , J=∅2.5
 (5):Material of housing:
 PB=PBT (Standard)
 (6):Housing color:
 BK=Black
 5I=Green(0274),5P=Green(0116)
 6B=Blue(0037),8A=Gray(0292)
 8G=gray(0228),9A=White(0100)
 (7):Terminal plating
 S=Silver(Ag),T=Tin(Sn)
 (8):Special option:
 0=No special option
 (9):Packing mode:
 4=Bag packing

Specification:

- Rating : DC 20V/2.5A.
- Contact resistance: ≤30mΩ
After test:≤50mΩ
- Insulation resistance: ≥100MΩ (500VDC).
After test:≥50MΩ
- Withstanding voltage: 500VAC.
- Insertion and extraction force: 3N-30N.
- Life test: 5000 cycles min.
- Operation temperature range:-20°C~70°C.
- Preservative temperature range:-40°C~85°C.



Model No.	H	I	J
CENTER PIN	∅2.0	∅2.35	∅2.5
PLUG O.D.	∅2.05 ^{+0.10} _{-0.00}	∅2.40 ^{+0.10} _{-0.00}	∅2.55 ^{+0.10} _{-0.00}

DC MATE PLUG

○: ITEM NO. □: TERMINAL NO.

NO.	PARTS	MATERIAL	Q'TY	FINISHING	TOLERANCE	ANGLES	UNITS
⑥	Shunt terminal ③	Brass t=0.5mm	1	Silver/Tin plating			mm
⑤	Tip spring ②	Phosphor bronze t=0.3mm	1	Silver/Tin plating	±0.3	±2'	MAT'L
④	Center pin terminal ①	Brass t=0.5mm	1	Silver/Tin plating			SEE NOTE
③	Center pin ①	Brass	1	CuSn/Nickel plating			FINISH
②	Cover	PBT UL94V-0	1	Black			SEE NOTE
①	Housing	PBT UL94V-0	1				Q'TY
							APPD:

THESE DRAWINGS AND SPECIFICATIONS ARE THE PROPERTY OF ACCURATE INNOTECH INC AND SHALL NOT BE REPRODUCED, COPIED OR USED IN ANY MANNER WITHOUT THE PRIOR WRITTEN CONSENT OF ACCURATE INNOTECH INC.

雅安科技有限公司 ACCURATE INNOTECH INC.			
TITLE: DIP DC POWER JACK		PART NO.: DCB0-0005D	
DR: Ricky 2019/03/06		DWG NO.: AB0-0005D	
CHKD: Ricky 2019/03/06		SCALE	SHEET
APPD:		1:1	1/1
		REV.	CUSTOMER DRAWING
		A	